

# Flow

# THORN

## 96635488 FW 36L105-740 NR CL2 T60F ANT

ISO 9223 C5		IP66	IK10						T <sub>a</sub> -30 +25
----------------	--	------	------	--	--	--	--	--	---------------------------

### Flow

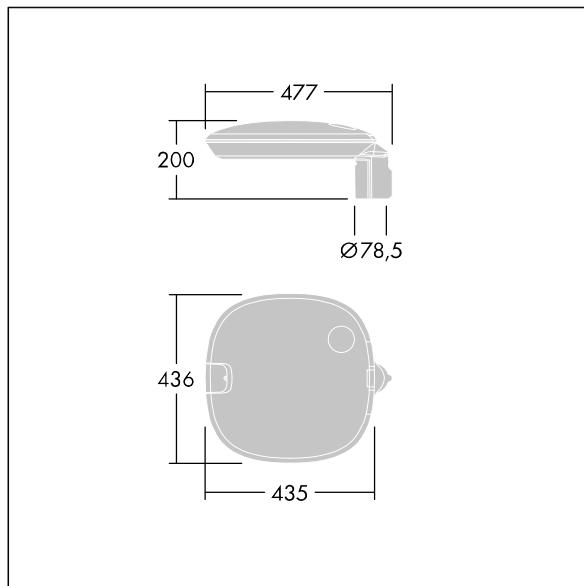
A highly versatile LED lantern with a Narrow Road, asymmetric distribution. Electronic, fixed output control gear driving 36 LEDs at 1.05A. Compatible with PL, LRT, 7 pin Nema socket. Class II electrical (this product is not earthed), IP66, IK10. Housing, canopy and spigot: die-cast aluminium (EN AC-47100) powder coated anthracite (close to RAL7043).. Enclosure: 6mm thick clear glass.. Complete with 4000K LED. Post top mounting to Ø60mm column, tilt 5°, adjustable from 0° to +10°.

Surge protection: 10kV single pulse common mode and 8kV multipulse common mode and 6kV multipulse differential mode. If permanent DALI system is connected, 6kV multipulse common and differential mode.

Dimensions: 435 x 436 x 200 mm  
Luminaire input power: 117 W  
Luminaire luminous flux: 15360 lm  
Luminaire efficacy: 131 lm/W  
Weight: 8.5 kg  
Scx: 0.054 m<sup>2</sup>



TLG\_FLOW\_F\_MTP\_CL.jpg



TLG\_FLOW\_M\_MTP60.wmf

This product contains a light source of energy efficiency class E.

All values marked with an \* are rated values. Thorn uses tried and tested components from leading suppliers, however there may be isolated instances of technology-related failures of individual LEDs during the rated product lifetime. International standards set the tolerance in initial flux and connected load at ±10%. Unless stated otherwise, the values apply to an ambient temperature of 25°C.

Thorn Lighting is constantly developing and improving its products. The right is reserved to change specifications without prior notification or public announcement.  
© Thorn Lighting