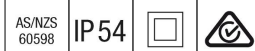


Luna

THORN

96294148 <LUNA 12-18W 830/840/857 SEL WH DIM



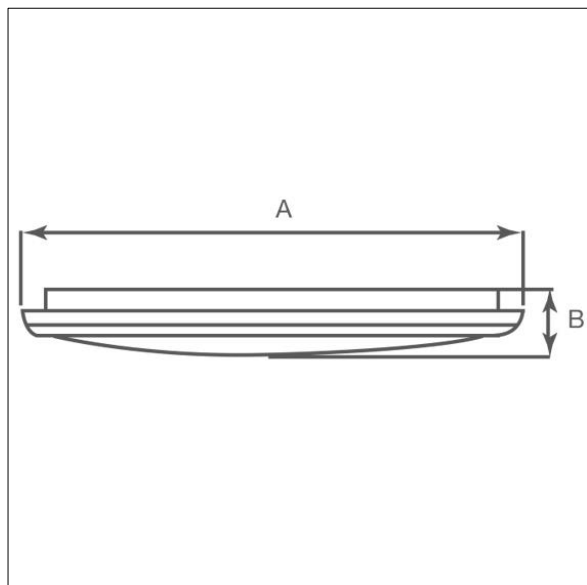
Luna

An ultra slim, round wall or ceiling LED luminaire.
Electronic, phase-cut dimmable control gear. Body: white moulded polycarbonate. Diffuser: opal polycarbonate.
Class II electrical, IP54. Supplied with quick mounting bracket. Complete with CCT switch for 3000K, 4000K or 5700K at time of installation.

Dimensions: Ø300 x 40 mm
Luminaire input power: 18 W
Luminaire luminous flux: 1700 lm
Luminaire efficacy: 94 lm/W
Weight: 1 kg



TLZ_LUNA_F_01.jpg



TLZ_LUNA_M_LD1.wmf

All values marked with an * are rated values. Thorn uses tried and tested components from leading suppliers, however there may be isolated instances of technology-related failures of individual LEDs during the rated product lifetime. International standards set the tolerance in initial flux and connected load at $\pm 10\%$. Unless stated otherwise, the values apply to an ambient temperature of 25°C.

Thorn Lighting is constantly developing and improving its products. The right is reserved to change specifications without prior notification or public announcement.
© Thorn Lighting