

# Glacier II

THORN

96632445 GLAC2 L LED3 3000-830 HFIX E3 BK AL BK

|          |      |  |  |  |  |  |                   |
|----------|------|--|--|--|--|--|-------------------|
| EN 55015 | IP20 |  |  |  |  |  | T <sub>a</sub> 25 |
|----------|------|--|--|--|--|--|-------------------|

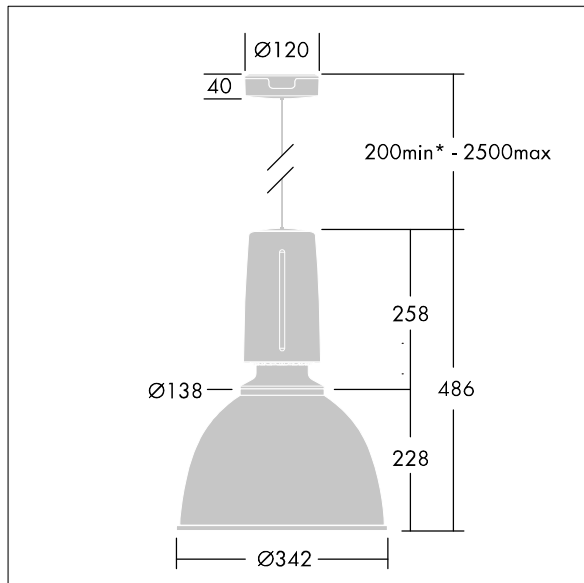
## Glacier II

A modern and efficient LED pendant luminaire. DALI dimmable control gear with 3 hour, manual test, emergency lighting circuit. Housing: die-cast aluminium with satin black finish. Reflector: black aluminium with easy bayonet mount connection to housing. Class I electrical, IP20. Suspended via adjustable quick-lock 2.5m single wire suspension (supplied). Pre-wired with braided, flame retardant silicone cable, 6 x 0.75mm<sup>2</sup>. Complete with 3000K LED

Dimensions: Ø340/140 x 485 mm  
Luminaire input power: 27 W  
Weight: 5.1 kg



TLG\_GLCL\_F\_L\_BKALBK.jpg



TLG\_GLCR\_M\_LED.wmf

This product contains a light source of energy efficiency class D.

All values marked with an \* are rated values. Thorn uses tried and tested components from leading suppliers, however there may be isolated instances of technology-related failures of individual LEDs during the rated product lifetime. International standards set the tolerance in initial flux and connected load at ±10%. Unless stated otherwise, the values apply to an ambient temperature of 25°C.

## Glacier II

96632445 GLAC2 L LED3 3000-830 HFIX E3 BK AL BK

THORN