

Accessories

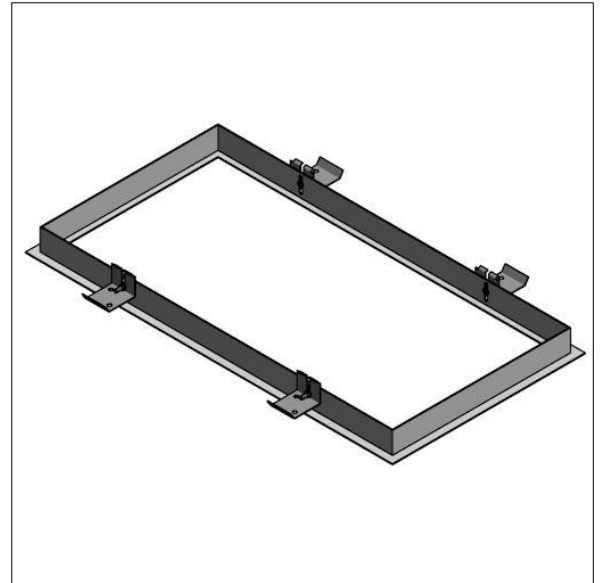
96648976 PPF 600x300

Accessories

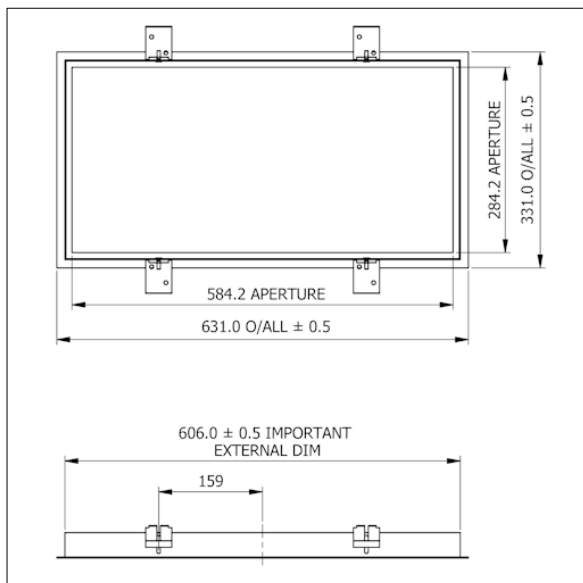
PPF : Project Plaster Frame

A rigid steel frame, powder coated white. Suitable for most T-bar recessed luminaires to enable installation in plasterboard ceilings. Supplied with adjustable mounting brackets to suit ceiling thickness 20-35mm. The supplied mounting brackets should be mounted on the outside of the frame. Typical plasterboard will not adequately support the frame and luminaire weight, so packing should be used for each bracket.

Overall dimensions: 631 x 331 mm
 Aperture size: 584 x 284 mm
 Ceiling cut-out: 608 x 308 mm
 weight: 0 kg



TLG_PPF_F_6X3.jpg



TLG_PPF_M_6X3.wmf