

# EP 445

96631754 EP445 12L70-827 ND-A BPS CL2 MSU



IP66

IK08



## EP 445

A 19th Century style lantern with 12 LEDs with switchable drive current and Narrow Road optic. Equipped with power reduction circuit, profile selected by rotary switch. Class II electrical (this product is not earthed), IP66, IK08. Body: die-cast aluminium, painted black (close to RAL9005) textured. Enclosure: 4mm thick extra clear glass. Complete with 2700K LED

Dimensions: 436 x 436 x 725 mm

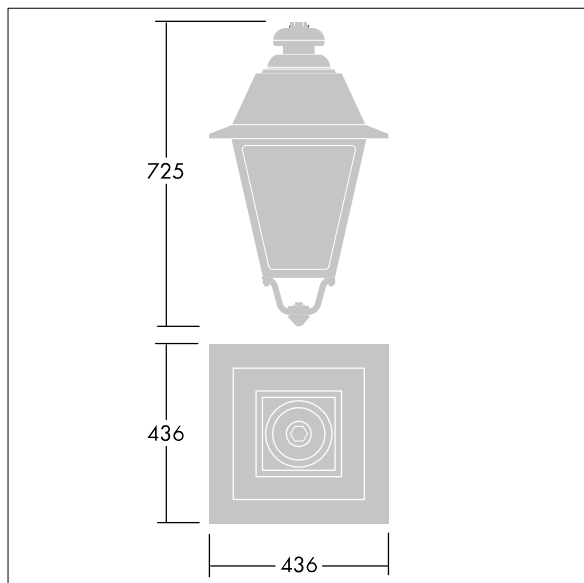
Luminaire input power: 27.5 W

Weight: 8.7 kg

Scx: 0.19 m<sup>2</sup>



TLG\_EP44\_F\_MSU.jpg



TLG\_EP44\_M\_SUS.wmf

This product contains a light source of energy efficiency class E.

**EP 445**

**96631754 EP445 12L70-827 ND-A BPS CL2 MSU**

**THORN**