

# EP 445

96629560 EP445 12L70-730 CD-A BPS CL2 MSU



IP66

IK08



## EP 445

A 19th Century style lantern with 12 LEDs with switchable drive current and Street & Comfort optic. Equipped with power reduction circuit, profile selected by rotary switch. Class II electrical (this product is not earthed), IP66, IK08. Body: die-cast aluminium, painted black (close to RAL9005) textured. Enclosure: 4mm thick extra clear glass. Complete with 3000K LED

Dimensions: 436 x 436 x 725 mm

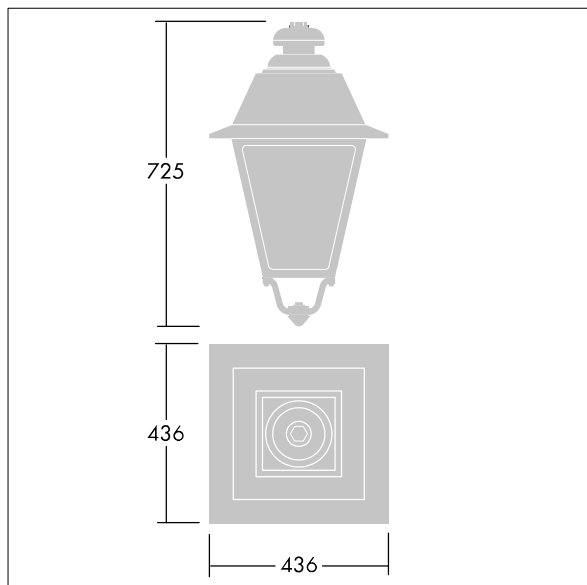
Luminaire input power: 27.5 W

Weight: 8.7 kg

Scx: 0.19 m<sup>2</sup>



TLG\_EP44\_F\_MSU.jpg



TLG\_EP44\_M\_SUS.wmf

This product contains a light source of energy efficiency class D.

**EP 445**

**96629560 EP445 12L70-730 CD-A BPS CL2 MSU**

**THORN**