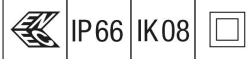


## EP 445

96629549 EP445 12L70-740 CD-A BPS CL2 W5M MTP



### EP 445

A 19th Century style lantern with 12 LEDs with switchable drive current and Street & Comfort optic. Post top mounting. Equipped with power reduction circuit, profile selected by rotary switch. Class II electrical (this product is not earthed), IP66, IK08. Body: die-cast aluminium, painted black (close to RAL9005) textured. Enclosure: 4mm thick extra clear glass. Pre-wired with 5m cable. Complete with 4000K LED

Dimensions: 436 x 436 x 695 mm

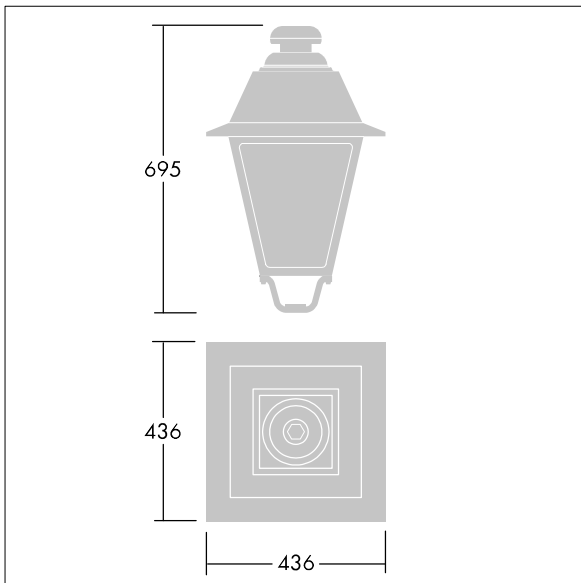
Luminaire input power: 27.5 W

Weight: 9.7 kg

Scx: 0.19 m<sup>2</sup>



TLG\_EP44\_F\_MTP.jpg



TLG\_EP44\_M\_MTP.wmf

This product contains a light source of energy efficiency class C.