

# College

96628935 COLLEGE 4200-840 HFIX E3 L1200

THORN

IP44	IK05					850°C	T <sub>a</sub> 0 +25
------	------	--	--	--	--	-------	-------------------------

## College

A high performance, Surface mounted, LED luminaire. Electronic, DALI dimmable with 3 hour, manual test, emergency lighting circuit. Class I electrical, IP44. Body: white painted steel. End caps: white polycarbonate with a curved, precision extruded clear prismatic polycarbonate diffuser. Ø21.5mm cable entry hole in the centre of the back spine with optional cable entry through each end cap. Fitting supplied with sealing grommets and innovative "quick fix" horseshoe and sliding washers for direct screw fixing to surface, fixing centres 1150mm. Standard BESA fixings. Can be suspended using wire suspension accessory kit (to be ordered separately). 6 x 2 x 2.5mm<sup>2</sup> piano key terminal block. Complete with 4000K LED

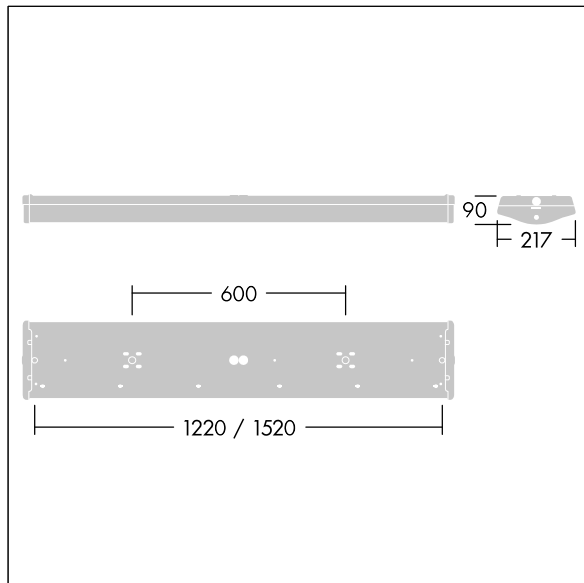
Dimensions: 1220 x 217 x 90 mm

Luminaire input power: 32.4 W

Weight: 4.09 kg



TLG\_CLLG\_F\_P1.jpg



TLG\_CLLG\_M\_LD1.wmf

This product contains a light source of energy efficiency class D.

All values marked with an \* are rated values. Thorn uses tried and tested components from leading suppliers, however there may be isolated instances of technology-related failures of individual LEDs during the rated product lifetime. International standards set the tolerance in initial flux and connected load at ±10%. Unless stated otherwise, the values apply to an ambient temperature of 25°C.

Thorn Lighting is constantly developing and improving its products. The right is reserved to change specifications without prior notification or public announcement.  
© Thorn Lighting