

Areaflood Pro

96644809 AFP S 36L50-740 WR CLO BS 3550 CL2 GY

| | | | | | | | |
|----------------|--|------|------|--|--|--|---------------------------|
| ISO 9223 C5 | | IP66 | IK08 | | | | T _a -25 +35 |
|----------------|--|------|------|--|--|--|---------------------------|

Areaflood Pro

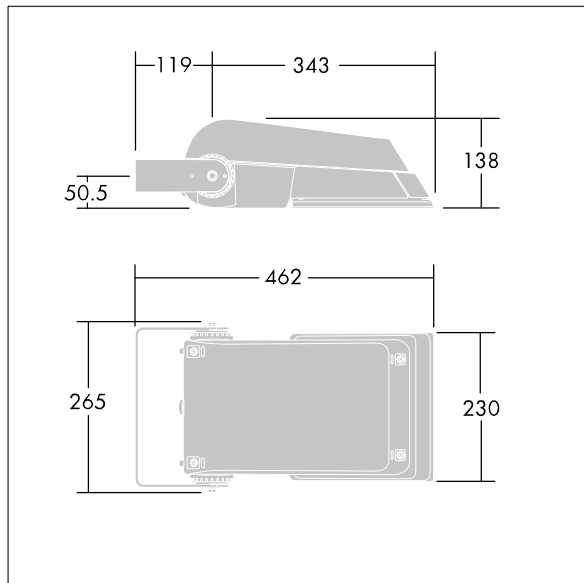
A compact, lightweight, general purpose LED area floodlight. With small body, driving 36 LEDs at 500mA with Wide Road light distribution. IP66, IK08, Class II electrical (this product is not earthed). Body: die-cast aluminium (EN AC-44300), Light grey 150 sanded textured (close to RAL9006).. Enclosure: 4mm thick toughened glass. Reversible mounting stirrup supplied, Driver programmed for constant light output. Complete with 4000K LED.

Not compatible with UrbaSens systems.

Dimensions: 462 x 265 x 139 mm
 Luminaire input power: 55 W
 Luminaire luminous flux: 8698 lm
 Luminaire efficacy: 158 lm/W
 weight: 6.24 kg
 Scx: 0.05 m²



TLG_AFLP_F_SMALLPDB.jpg



TLG_AFLP_M_SML.wmf

This product contains light sources of energy efficiency classes D, E.

All values marked with an * are rated values. Thorn uses tried and tested components from leading suppliers, however there may be isolated instances of technology-related failures of individual LEDs during the rated product lifetime. International standards set the tolerance in initial flux and connected load at ±10%. Unless stated otherwise, the values apply to an ambient temperature of 25°C.

Areaflood Pro

96644809 AFP S 36L50-740 WR CLO BS 3550 CL2 GY

THORN