

# Urba

96271096 <URBA BRA MID POLE 0,45 ANT

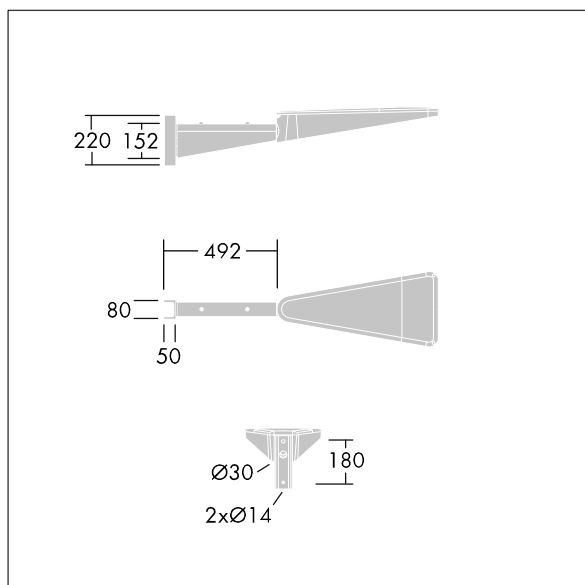
# THORN

## Urba

galvanised steel Mid pole bracket. 450mm arm. Painted dark grey.



TLG\_URBA\_F\_WALLBRKT450GY.jpg



TLG\_URBA\_M\_600\_C4.wmf

All values marked with an \* are rated values. Unless stated otherwise, the values apply to an ambient temperature of 25°C.

Thorn Lighting is constantly developing and improving its products. The right is reserved to change specifications without prior notification or public announcement.  
© Thorn Lighting