

# Urba

96270895 <URBA 2XBRA 0,8 MTP TOP76 D60 ANT

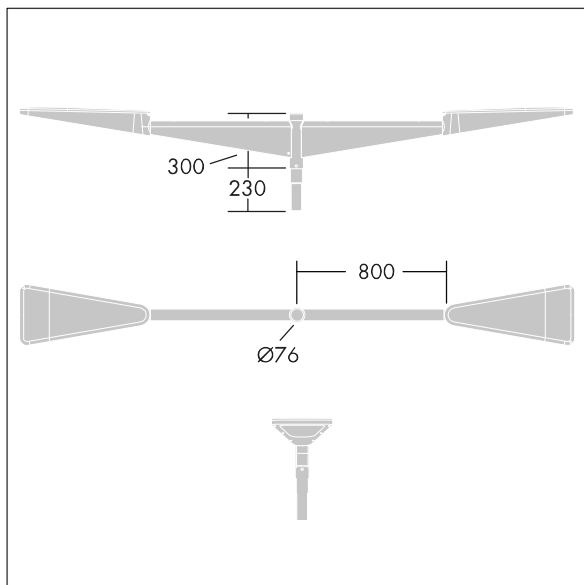
THORN

## Urba

Double galvanised steel post top bracket. 2 x 800mm arm.  
Painted dark grey.



TLG\_URBA\_F\_DBLBRKT800GY.jpg



TLG\_URBA\_M\_550\_C2.wmf

All values marked with an \* are rated values. Unless stated otherwise, the values apply to an ambient temperature of 25°C.

Thorn Lighting is constantly developing and improving its products. The right is reserved to change specifications without prior notification or public announcement.  
© Thorn Lighting