

# Urba

96270894 <URBA 2XBRA 0,45 MTP TOP76 D60 ANT

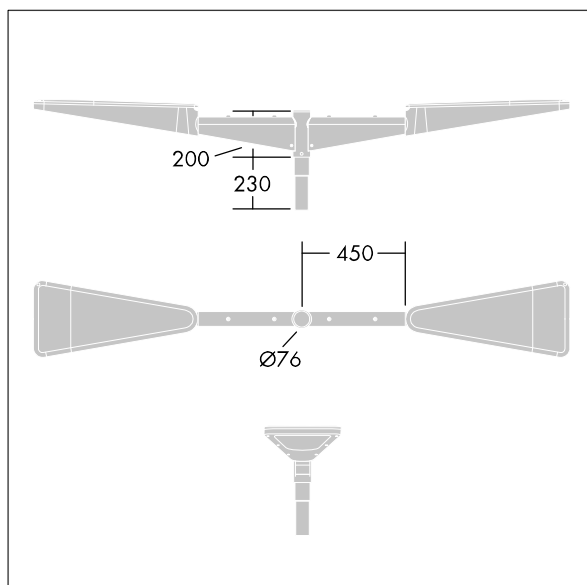
# THORN

## Urba

Double galvanised steel post top bracket. 2 x 450mm arm.  
Painted dark grey.



TLG\_URBA\_F\_DBLBRKT450GY.jpg



TLG\_URBA\_M\_600\_C2.wmf

All values marked with an \* are rated values. Unless stated otherwise, the values apply to an ambient temperature of 25°C.

Thorn Lighting is constantly developing and improving its products. The right is reserved to change specifications without prior notification or public announcement.  
© Thorn Lighting