

Trophy

96652808 TROPHY VISOR

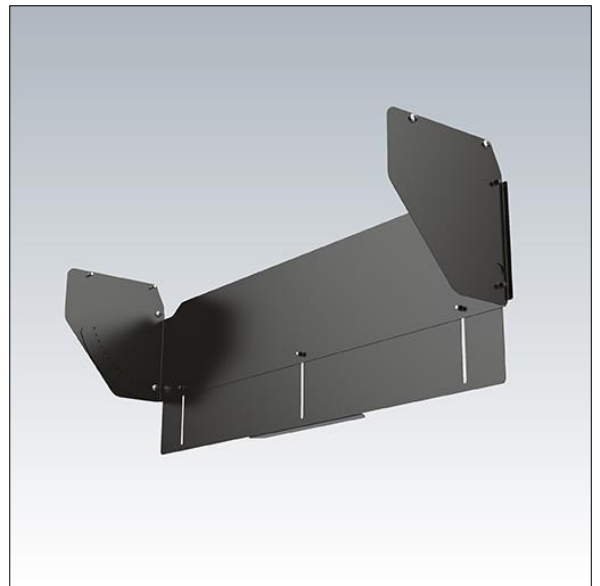
THORN

Trophy

Visor kit for 1 Trophy LED module, to add and adjust a light distribution cut-off. Cut-off angle adjustable from 0° to 70°. Cut-off length adjustable from 0 to 70mm. Can be installed before or after installation on site. Finished black. 1 visor supplied per kit.

Design advice can be obtained from your local representative.

Weight: 1.21 kg



TLG_TROPHY_F_VISOR.jpg