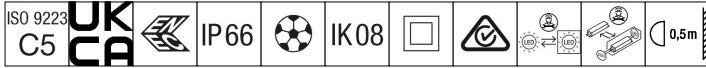


## Areaflood Pro 2

96636355 AFP2 2M 192L50-740 A4 CL2 GY



### Areaflood Pro 2

A compact, lightweight, general purpose LED area floodlight. With medium x 2 body. driving 192 LEDs at 500mA with Asymmetrical 40° light distribution. IP66, IK08, Class II electrical (this product is not earthed). Body: die-cast aluminium (EN AC-44300), Light grey 150 sanded textured (close to RAL9006).. Enclosure: 4mm thick toughened glass. Reversible mounting stirrup supplied, Complete with 4000K LED.

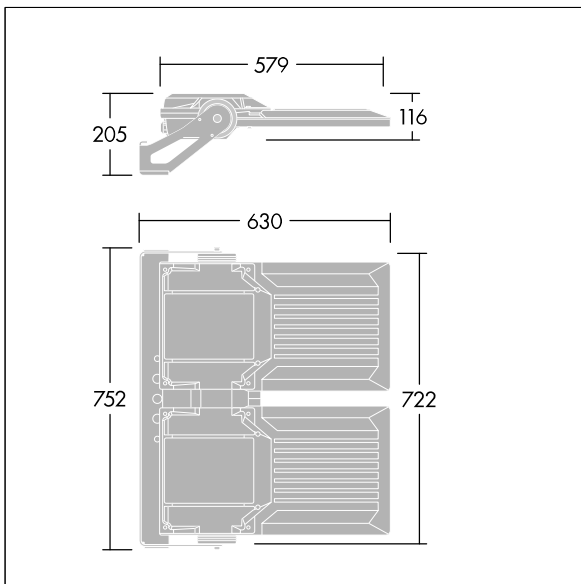
Integrated 6kV surge protection included as standard, with higher 10kV protection when selected (designated by 'SP' in the description).

Dimensions: 630 x 722 x 116 mm  
 Luminaire input power: 231 W  
 Luminaire luminous flux: 47689 lm

weight: 23.36 kg  
 Scx: 0.12 m<sup>2</sup>



TLG\_AFP2\_F\_2M\_1.jpg



TLG\_AFP2\_M\_2M.wmf

This product contains light sources of energy efficiency classes D, E.

All values marked with an \* are rated values. Thorn uses tried and tested components from leading suppliers, however there may be isolated instances of technology-related failures of individual LEDs during the rated product lifetime. International standards set the tolerance in initial flux and connected load at ±10%. Unless stated otherwise, the values apply to an ambient temperature of 25°C.

# Areaflood Pro 2

96636355 AFP2 2M 192L50-740 A4 CL2 GY

THORN