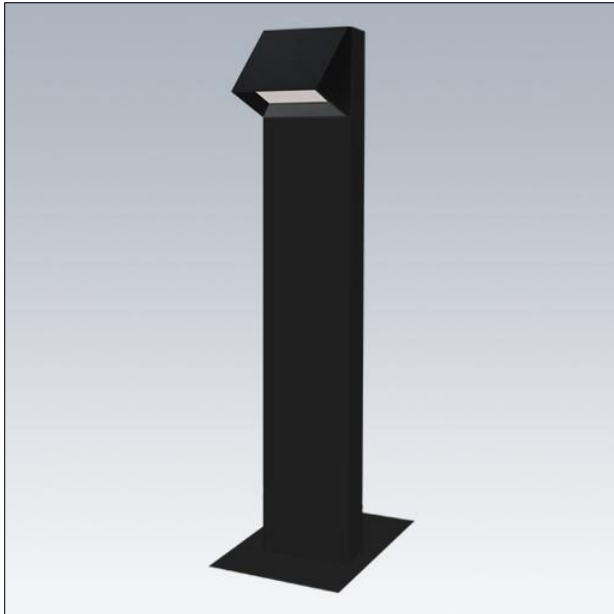


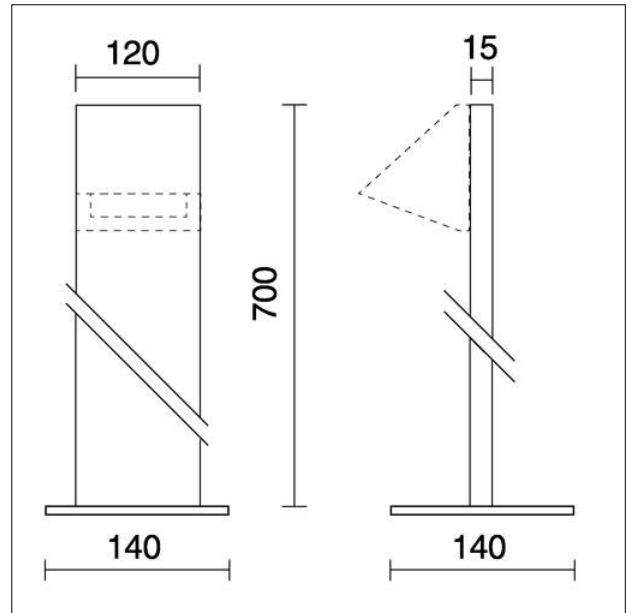
Installation accessory

Bollard mounting accessory for Acuto LED luminaires. Flange mounted. Body: die-cast aluminium (EN AB-47100), powder coated textured black (close to RAL 9005).

Weight: 1.5 kg



TLG_ACUTO_F_BOL_MPL.jpg



TLG_ACUTO_M_BOL_MPL.wmf

Light Distribution