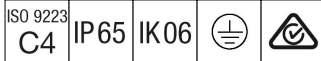


# Lucem

THORN

## 96651818 LUCEM S LED1100-930 HF ANT



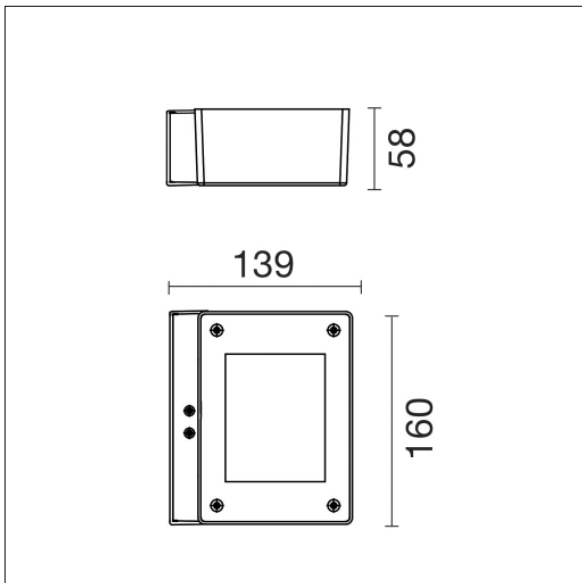
### Lucem

An architectural LED wall mounted luminaire with asymmetric light distribution, particularly suitable for indirect lighting applications. Electronic, fixed output control gear. Class I electrical, IP65, IK06. Body: die-cast aluminium (EN AB-47100), powder coated textured anthracite (close to RAL7016). Supplied in one box, ready to install. Complete with 3000K LED.

Dimensions: 160 x 139 x 58 mm  
Luminaire input power: 12.4 W  
Luminaire luminous flux: 1054 lm  
Luminaire efficacy: 85 lm/W  
Weight: 2 kg



TLG\_LUCEM\_F\_S.jpg



TLG\_LUCEM\_M\_S.wmf

All values marked with an \* are rated values. Thorn uses tried and tested components from leading suppliers, however there may be isolated instances of technology-related failures of individual LEDs during the rated product lifetime. International standards set the tolerance in initial flux and connected load at  $\pm 10\%$ . Unless stated otherwise, the values apply to an ambient temperature of 25°C.

Thorn Lighting is constantly developing and improving its products. The right is reserved to change specifications without prior notification or public announcement.  
© Thorn Lighting

**Lucem**

**96651818 LUCEM S LED1100-930 HF ANT**

**THORN**