

Contrast

96635268 CONT3 12L70 BU NB HFX 6K ANT

ISO 9223 C5	IP66	IK08					T _a -20 +35
----------------	------	------	--	--	--	--	---------------------------

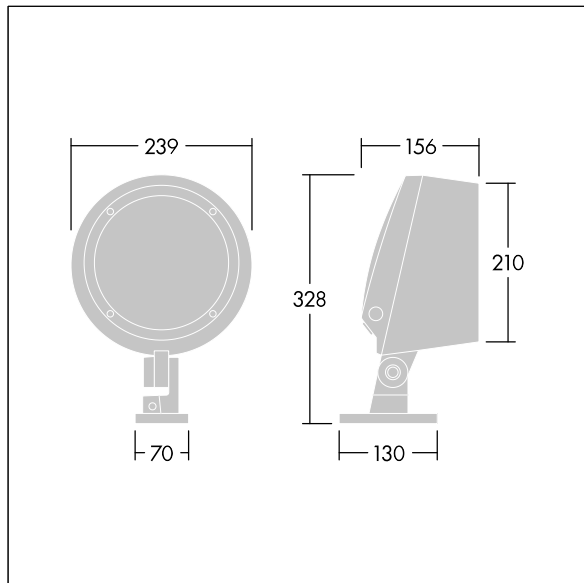
Contrast

A medium architectural floodlight LED floodlight with 12 LEDs driven at 700mA and a narrow beam distribution. LED driver, DALI-2 dimmable. Class II electrical (this product is not earthed), IP66, IK08. Body: die-cast aluminium (EN AC-44300), powder coated, textured anthracite (close to RAL7043). Compatible with coastal environments. Glass: tempered, 5mm thick. Gasket: EPDM. Screws: geomet. Equipped with 6kV surge protection device. Complete with blue LED

Dimensions: Ø239 x 156 mm
 Luminaire input power: 29 W
 Luminaire luminous flux: 694 lm
 Luminaire efficacy: 24 lm/W
 Weight: 5.15 kg



TLG_CON3_F_S_12L.jpg



TLG_CONL_M_12L.wmf

This product contains a light source of energy efficiency class D.

All values marked with an * are rated values. Thorn uses tried and tested components from leading suppliers, however there may be isolated instances of technology-related failures of individual LEDs during the rated product lifetime. International standards set the tolerance in initial flux and connected load at ±10%. Unless stated otherwise, the values apply to an ambient temperature of 25°C.

Contrast

96635268 CONT3 12L70 BU NB HFX 6K ANT

THORN