

# Novaline Style

# THORN

96635426 NOVS L 5000-830 DI HFI WH

IEC EN 60598-1 RG 1	RoHS	UK CA	11	IP54	D	halogen	IK08					850°C	T <sub>a</sub> -15 +25
------------------------	------	----------	----	------	---	---------	------	--	--	--	--	-------	---------------------------

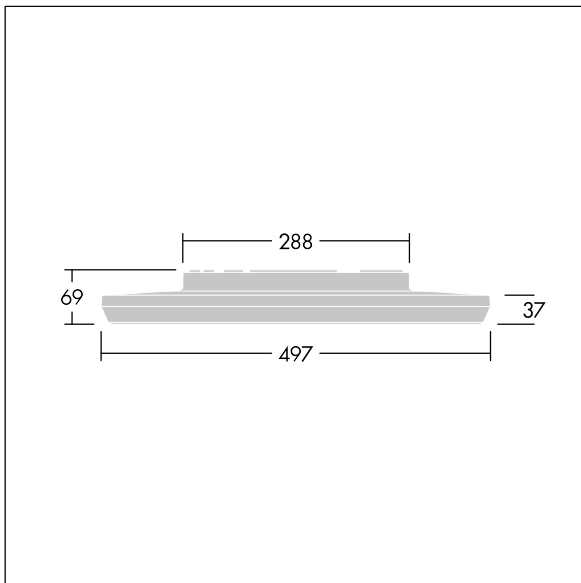
## Novaline Style

Decorative circular luminaire with large body. Low indirect component for wall and ceiling illumination. Electronic, DALI dimmable. Aesthetic trim of the luminaire made of polycarbonate in white. Diffuser: opal polycarbonate. Class II electrical (this product is not earthed), IP54. Complete with 3000K LED.

Dimensions: Ø497 x 69 mm  
Luminaire input power: 35.2 W  
Luminaire luminous flux: 4650 lm  
Luminaire efficacy: 132 lm/W  
Weight: 2.89 kg



TLG\_NOVS\_F\_5WH.jpg



TLG\_NOVS\_M\_LD500.wmf

This product contains a light source of energy efficiency class C.

All values marked with an \* are rated values. Thorn uses tried and tested components from leading suppliers, however there may be isolated instances of technology-related failures of individual LEDs during the rated product lifetime. International standards set the tolerance in initial flux and connected load at ±10%. Unless stated otherwise, the values apply to an ambient temperature of 25°C.

Thorn Lighting is constantly developing and improving its products. The right is reserved to change specifications without prior notification or public announcement.  
© Thorn Lighting