

## Cetus3

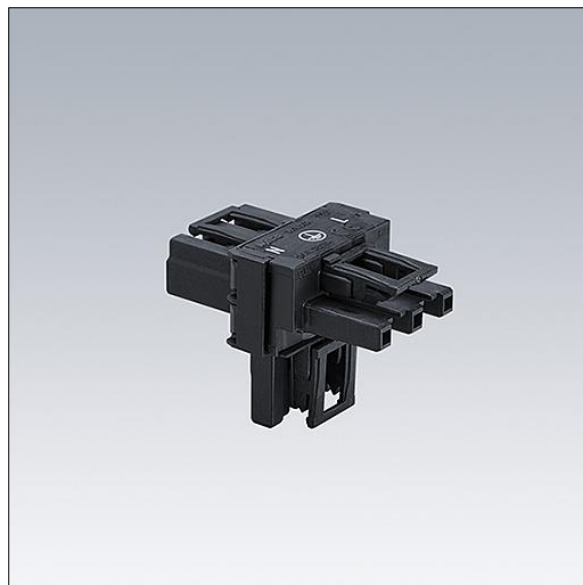
### 96635254 T CONNECTOR WO 3POLE

THORN

#### Cetus3

A 3-pole Wago T-connector for loop in/out installations on side, type WINSTA midi Cod. A, black.

Weight: 0.04 kg



TLG\_CTU3\_F\_WL3\_WO3.jpg