

RoHS	IP65	IK08						750 °C	T <sub>a</sub> -20 +40
------	------	------	--	--	--	--	--	--------	---------------------------

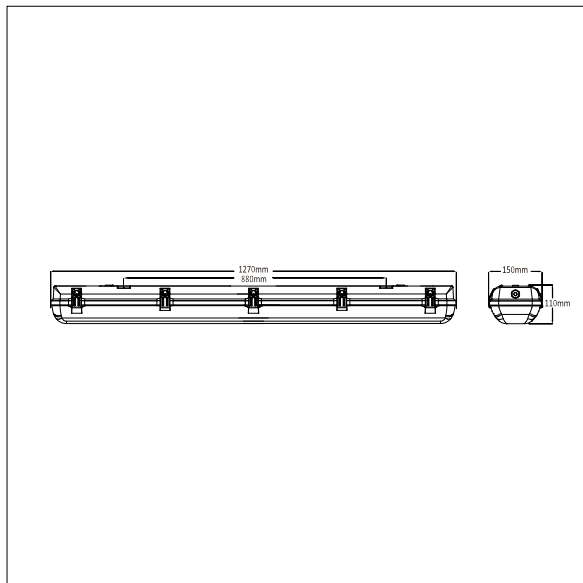
### WeatherForce

A wide body, linear, water resistant LED luminaire, specifically designed for general outdoor applications. Fixed output LED driver. Equipped with microwave sensor and daylight hold-off and corridor functions. Class I electrical, IP65, Impact strength: IK08. Body: light grey injection moulded polycarbonate, supplied with tamper resistant screws. Diffuser: opal polycarbonate. Gear Tray: steel sheet, powder coated white. WeatherForce G2 is able to be surface mounted or suspended. Complete with switchable light colour temperature 3000K - 4000K - 5700K LED.

Dimensions: 1270 x 150 x 110 mm  
 Luminaire input power: 52 W  
 Weight: 3 kg



TLG\_WFG2\_F\_L12.jpg



TLG\_WFG2\_M\_L12.wmf

All values marked with an \* are rated values. Thorn uses tried and tested components from leading suppliers, however there may be isolated instances of technology-related failures of individual LEDs during the rated product lifetime. International standards set the tolerance in initial flux and connected load at ±10%. Unless stated otherwise, the values apply to an ambient temperature of 25°C.

**WeatherForce**

**96650061 WF G2 LED5500 830-57 L12 MWS-COR**

**THORN**