

# Contrast

# THORN

## 96634324 CONT3 52L90-830 NB HFX 6K ANT

ISO 9223 C5		IP66	IK08						T <sub>a</sub> -20 +25
----------------	--	------	------	--	--	--	--	--	---------------------------

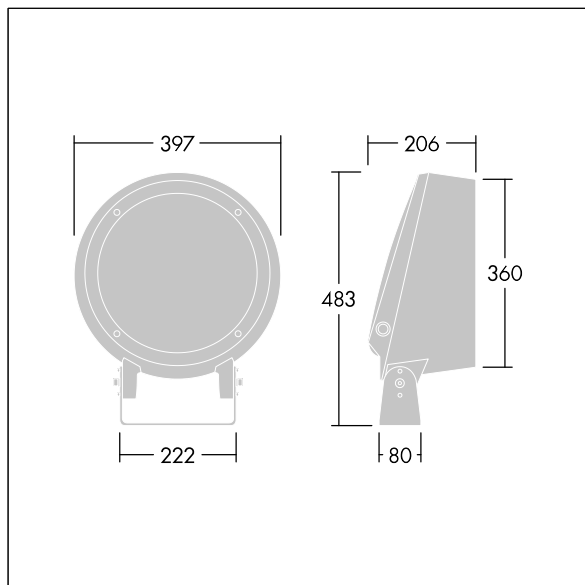
### Contrast

A large architectural floodlight LED floodlight with 52 LEDs driven at 900mA and a narrow beam distribution. LED driver, DALI-2 dimmable. Class II electrical (this product is not earthed), IP66, IK08. Body: die-cast aluminium (EN AC-44300), powder coated, textured anthracite (close to RAL7043). Compatible with coastal environments. Glass: tempered, 5mm thick. Gasket: EPDM. Screws: geomet. Equipped with 6kV surge protection device. Complete with 3000K LED

Dimensions: Ø397 x 206 mm  
Luminaire input power: 141 W  
Luminaire luminous flux: 15122 lm  
Luminaire efficacy: 107 lm/W  
Weight: 13.21 kg



TLG\_CON3\_F\_M\_52L.jpg



TLG\_CONL\_M\_36-52L.wmf

This product contains a light source of energy efficiency class E.

All values marked with an \* are rated values. Thorn uses tried and tested components from leading suppliers, however there may be isolated instances of technology-related failures of individual LEDs during the rated product lifetime. International standards set the tolerance in initial flux and connected load at ±10%. Unless stated otherwise, the values apply to an ambient temperature of 25°C.

Thorn Lighting is constantly developing and improving its products. The right is reserved to change specifications without prior notification or public announcement.  
© Thorn Lighting