

Jewel

THORN

96294621 JEWEL 2 LED BULKHEAD OP BLK TC

| | | | | | | |
|------|------|------|---|---|--------|---------------------------|
| RoHS | IP65 | IK10 |  |  | 750 °C | T _a -20 +40 |
|------|------|------|---|---|--------|---------------------------|

Jewel

Surface mounted LED luminaire, compact size with smooth lines. Fixed output, LED driver with switch for selection of colour temperature (3000K, 4000K, 5700K). Body: polycarbonate. Diffuser: opal polycarbonate. Sealed to IP65, Impact strength: IK10. Colour Rendering Index min.: 80. Suitable for indoor or outdoor use. Complete with tri-colour LEDs.

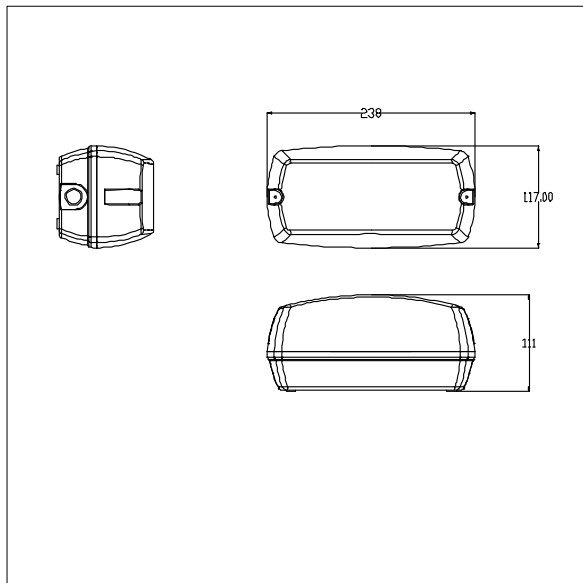
Dimensions: 240 x 116 x 130 mm

Luminaire input power: 10 W

Weight: 0.37 kg



TLG_JEWL_F_BK.jpg



TLG_JEWL_M_LD1.wmf

All values marked with an * are rated values. Thorn uses tried and tested components from leading suppliers, however there may be isolated instances of technology-related failures of individual LEDs during the rated product lifetime. International standards set the tolerance in initial flux and connected load at $\pm 10\%$. Unless stated otherwise, the values apply to an ambient temperature of 25°C.

Thorn Lighting is constantly developing and improving its products. The right is reserved to change specifications without prior notification or public announcement.
© Thorn Lighting