

## 96634309 CT L 60L70-730 NR CL2 T60F ANT



### Carat

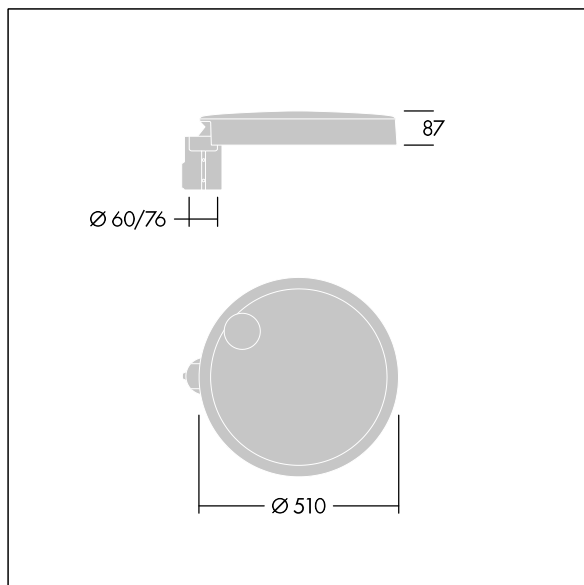
An elegant urban lantern with durable performance. Programmable LED driver, set for fixed output, driving 60 LEDs at 700mA. Body: large size, die-cast aluminium (EN AC-44300), anthracite (close to RAL7043). Shaft: anthracite (close to RAL7043). Cover: glass. Fixings: stainless steel with anti-galvanic treatment. Narrow Road optic, with Colour Rendering Index min.: 70 Correlated colour temperature\*: 3000 Kelvin LEDs supplied. Class II electrical (this product is not earthed), Impact strength: IK08, IP66, T<sub>a</sub> max.: 35°C. Supplied with Ø60mm spigot adaptor pre-fitted for post-top, 5° tilt.

Surge protection: 10kV single pulse common mode and 8kV multipulse common mode and 6kV multipulse differential mode. If permanent DALI system is connected, 6kV multipulse common and differential mode.

Dimensions: Ø510 x 87 mm  
 Luminaire input power: 125.5 W  
 Luminaire luminous flux: 18334 lm  
 Luminaire efficacy: 146 lm/W  
 Weight: 9.4 kg  
 Scx: 0.05 m<sup>2</sup>



TLG\_CARA\_F\_L\_PostTop.jpg



TLG\_CARA\_M\_LMTP.wmf

This product contains light sources of energy efficiency class D.

All values marked with an \* are rated values. Thorn uses tried and tested components from leading suppliers, however there may be isolated instances of technology-related failures of individual LEDs during the rated product lifetime. International standards set the tolerance in initial flux and connected load at ±10%. Unless stated otherwise, the values apply to an ambient temperature of 25°C.

Thorn Lighting is constantly developing and improving its products. The right is reserved to change specifications without prior notification or public announcement.  
 © Thorn Lighting

**Carat**

**96634309 CT L 60L70-730 NR CL2 T60F ANT**

**THORN**