

Olsys Area

96633541 OLSYS1 18L70 740 CL2 AREA A/S

ISO 9223 C3		IP66	IK08					T _a 50
----------------	--	------	------	--	--	--	--	-------------------

Olsys Area

An LED floodlight with asymmetric distribution for area lighting applications. Electronic, fixed output control gear. Class II electrical, IP66, IK08. Body: die-cast aluminium (AS9U), powder coated silver-grey (RAL 9006). Enclosure: clear polycarbonate. Optics: polycarbonate. Supplied in one box, ready to install. Mounting attachments to be ordered separately. Complete with 4000K LED

ambient temperature: -30°C to +50°C

Dimensions: 330 x 225 x 59 mm

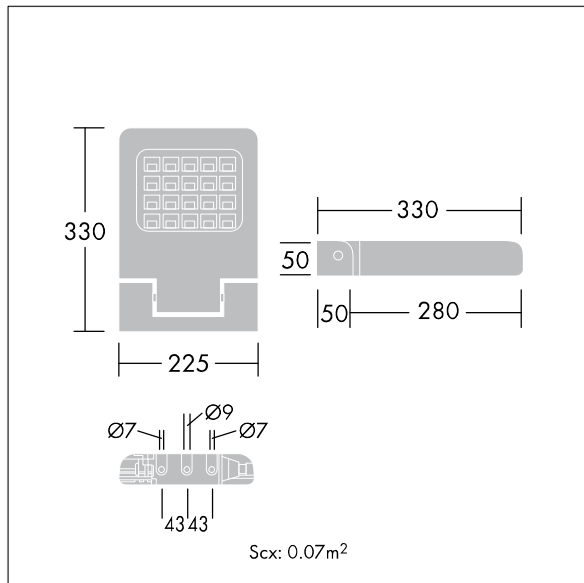
Luminaire input power: 40.5 W

Weight: 2.85 kg

Scx: 0.07 m²



TLG_OSYS_F_1ASPDB.jpg



TLG_OSYS_M_AREA1.wmf

This product contains a light source of energy efficiency class C.