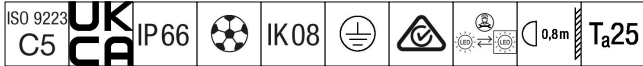


96633302 CHAMPION 264L-740 V2 VSP ANT



Champion

A high performance LED floodlight with 60° asymmetrical light distribution from 264 LEDs. External control gear, to be ordered separately. Class I electrical, IP66, Impact strength: IK08. Body: die-cast aluminium, powder coated textured anthracite (close to RAL7043). Enclosure: 4mm thick, toughened flat glass. Visor: Matt (powder coated, anthracite). Luminaire fixed by single bolt through Ø22mm central hole, or twin bolts through Ø15mm holes at 200mm centres. Aiming via simple aiming device (to be ordered separately). Ideal for sports fields and stadium or area lighting. Low flicker operation (<1%) suitable for HDTV broadcasting. Complete with 4000K LED with Colour Rendering Index min.: 70.

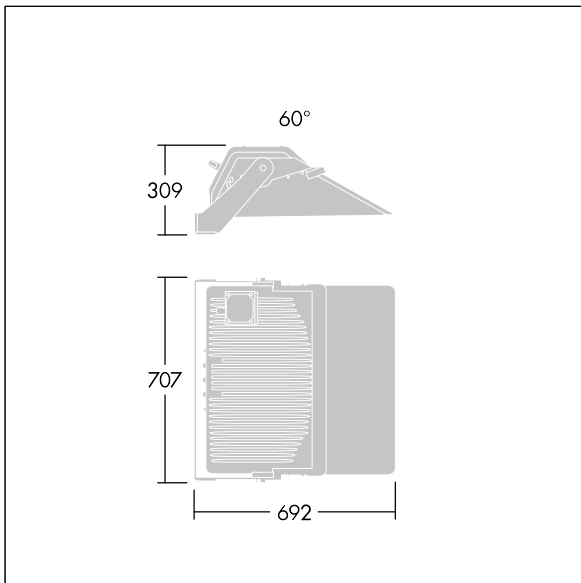
Dimensions: 692 x 707 x 309 mm

Weight: 22.4 kg

Scx: 0.196 m²



TLG_CHPL_F_PERS.jpg



TLG_CHPL_M_LD2.wmf

This product contains a light source of energy efficiency class D.

Champion

96633302 CHAMPION 264L-740 V2 VSP ANT

THORN