

## LED Fit

### 96633103 LEDFIT S 45W A/S CL1 L830



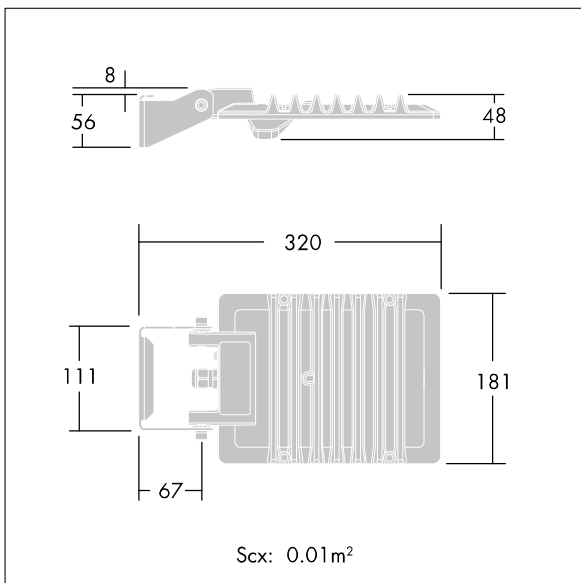
#### LED Fit

A simple, ultra lightweight, small LED area floodlight with true asymmetric optic. Integral fixed output control gear. Class I electrical, IP66, Impact strength: IK07. Body: die-cast aluminium Light grey 150 sanded textured (close to RAL9006). Stirrup: aluminium. Visor: polycarbonate with external surface powder coated Light grey 150 sanded textured (close to RAL9006). Pre-wired with 0.6m cable. Stirrup can be fixed by one M10 and/or two M8 fixation points, it is reversible allowing different mounting positions. Complete with 3000K LED.

Dimensions: 181 x 236 x 48 mm  
 Luminaire input power: 45 W  
 Luminaire luminous flux: 4300 lm  
 Luminaire efficacy: 96 lm/W  
 weight: 1.7 kg



TLG\_LED\_F\_SPDB.jpg



TLG\_LED\_M\_45W.wmf

This product contains a light source of energy efficiency class E.

All values marked with an \* are rated values. Thorn uses tried and tested components from leading suppliers, however there may be isolated instances of technology-related failures of individual LEDs during the rated product lifetime. International standards set the tolerance in initial flux and connected load at  $\pm 10\%$ . Unless stated otherwise, the values apply to an ambient temperature of 25°C.

Thorn Lighting is constantly developing and improving its products. The right is reserved to change specifications without prior notification or public announcement.  
 © Thorn Lighting

# LED Fit

96633103 LEDFIT S 45W A/S CL1 L830

THORN