

Stradalux

THORN

96648465 STRADALUX LED GREEN 2400 25W HF

AS/NZS 60598	IP54			T _a 40	
-----------------	------	---	---	-------------------	--

Stradalux

A robust weatherproof LED luminaire. Electronic, fixed output control gear. Body: die-cast aluminium. Visor: high impact resistant clear acrylic. Gasket: PVC foam. Class 1 electrical IP54.

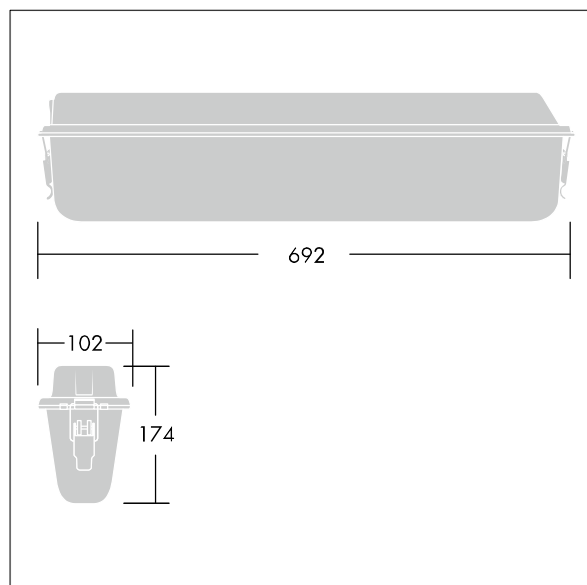
Dimensions: 692 x 174 x 102 mm

Luminaire input power: 25 W

Weight: 3.5 kg



TLA_STRA_F_LEDPDB.jpg



TLG_STRA_M_LD1.wmf

This product contains a light source of energy efficiency class C.

All values marked with an * are rated values. Unless stated otherwise, the values apply to an ambient temperature of 25°C.

Thorn Lighting is constantly developing and improving its products. The right is reserved to change specifications without prior notification or public announcement.
© Thorn Lighting