

Accessories

96648976 PPF 600x300

THORN

Accessories

PPF : Project Plaster Frame

A rigid steel frame, powder coated white. Suitable for most T-bar recessed luminaires to enable installation in plasterboard ceilings. Supplied with adjustable mounting brackets to suit ceiling thickness 20-35mm. The supplied mounting brackets should be mounted on the outside of the frame. Typical plasterboard will not adequately support the frame and luminaire weight, so packing should be used for each bracket.

Overall dimensions: 631 x 331 mm

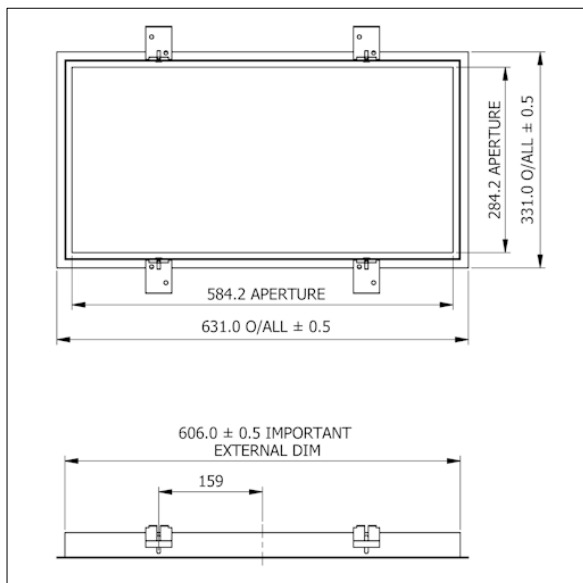
Aperture size: 584 x 284 mm

Ceiling cut-out: 608 x 308 mm

weight: 0 kg



TLG_PPF_F_6X3.jpg



TLG_PPF_M_6X3.wmf

All values marked with an * are rated values. Unless stated otherwise, the values apply to an ambient temperature of 25°C.

Thorn Lighting is constantly developing and improving its products. The right is reserved to change specifications without prior notification or public announcement.
© Thorn Lighting