

## Raze Architectural

96632097 RAA L 1L50-827 HFX 6K MSF ANT

ISO 9223	C5	IP66	IK10					
----------	----	------	------	--	--	--	--	--

### Raze Architectural

A compact, Surface mounted, LED wall grazer, incorporating Thorn's Flat beam® technology. 1 LED driven at 500mA. Integral DALI dimmable LED driver included. Class II electrical (this product is not earthed), IP66, IK08. Housing: die-cast aluminium (EN44300, compatible with seaside installation), powder coated, textured anthracite (close to RAL7043). Bowl: UV stabilised polycarbonate, semi-frosted. Fasteners: stainless steel. Complete with 2700K LED.

S version driver capable of supplying up to three luminaires.

MSF variant with adjustable tilt up to  $\pm 15^\circ$ .

MWA variant flush mounting.

6kV surge protection as standard. Pre-wired.

Dimensions: 204 x 220 x 148 mm

Luminaire input power: 21 W

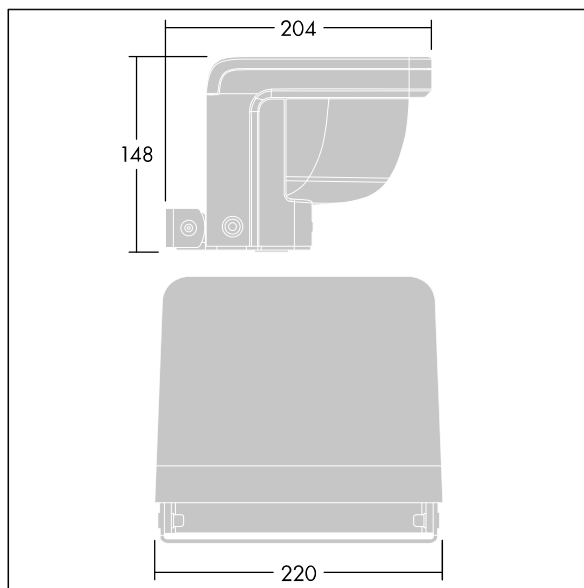
Luminaire luminous flux: 1371 lm

Luminaire efficacy: 65 lm/W

Weight: 2.85 kg



TLG\_RAZA\_F\_L\_MS\_F\_PDB.jpg



TLG\_RAZA\_M\_L\_MS\_F.wmf

This product contains a light source of energy efficiency class E.