

Yardlight LED (AU)

96541933 YARDLIGHT LED S 10W L840 LS

AS/NZS 60598	IP65			T _a 25
-----------------	------	---	---	-------------------

Yardlight LED (AU)

A general purpose LED floodlight with Electronic, fixed output control gear. IP65 Class I electrical. Body: die-cast aluminium painted black. Reflector: anodised aluminium. Lens: toughened stippled glass. Stirrup: Mild steel painted black. Equipped with daylight sensor. Complete with 4000K LED

Dimensions: 146 x 53 x 171 mm

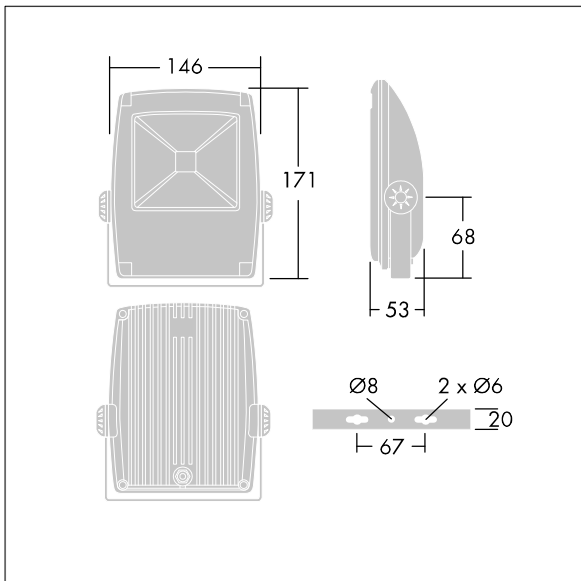
Luminaire input power: 10 W

Weight: 1.2 kg

Windage: 0.025 m²



TLA_YARD_F_LEDSLSE.jpg



TLG_YARD_M_SML.wmf

All values marked with an * are rated values. Thorn uses tried and tested components from leading suppliers, however there may be isolated instances of technology-related failures of individual LEDs during the rated product lifetime. International standards set the tolerance in initial flux and connected load at $\pm 10\%$. Unless stated otherwise, the values apply to an ambient temperature of 25°C.

Thorn Lighting is constantly developing and improving its products. The right is reserved to change specifications without prior notification or public announcement.
© Thorn Lighting