

D-CO Recessed

96257239 D-CO R LED MAXI 6L50 840 CL



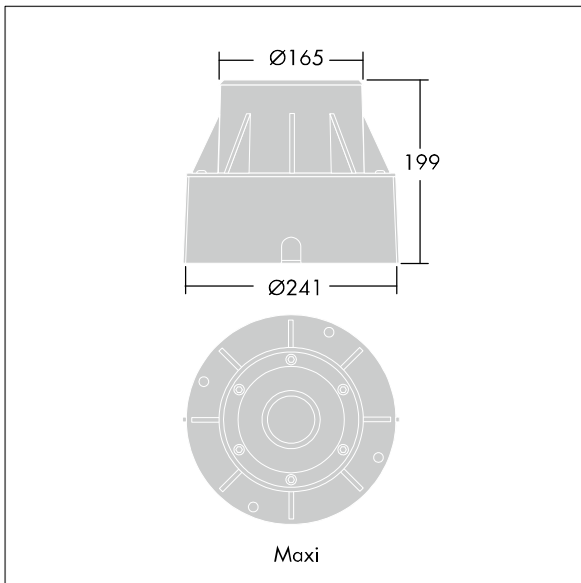
D-CO Recessed

A large size, ground recessed luminaire with 6 x 1.2W white LEDs for indoor or outdoor applications. Body in aluminium with ABS plastic recessed housing. Front glass, toughened with clear finish, stainless steel frame. Static load bearing 500kg. Complete with 5m cable.

Dimensions: Ø241 x 199 mm
 Luminaire input power: 12 W
 Weight: 3 kg



TLG_DCOL_F_LEDMAXIANGL.jpg



TLG_DCOL_M_ODL-165GZ.wmf

All values marked with an * are rated values. Thorn uses tried and tested components from leading suppliers, however there may be isolated instances of technology-related failures of individual LEDs during the rated product lifetime. International standards set the tolerance in initial flux and connected load at ±10%. Unless stated otherwise, the values apply to an ambient temperature of 25°C.

D-CO Recessed

96257239 D-CO R LED MAXI 6L50 840 CL

THORN