

**THORN**  
LIGHTING



# COLLEGE 2

Elevate learning environments like never before



**WE  
MAKE  
LIGHT  
WORK**

# BACK TO THE TOP OF THE CLASS

## TRANSFORM YOUR LEARNING SPACES WITH COLLEGE 2

Introducing College 2, the next generation of our best-selling luminaire, designed to elevate learning environments like never before.

For years, thousands of schools, colleges, and universities worldwide have trusted Thorn for high-quality lighting solutions. Building on this legacy, College 2 has been completely reimagined to meet the evolving demands of modern educational spaces.

College 2 is expertly designed by our in-house team and manufactured at Thorn's Spennymoor facility in north-east England.

It provides low-glare, diffused lighting with excellent colour rendering - perfect for focused learning environments, ideal for offices and meeting rooms, and supportive in health and care settings.

Plus, it's engineered for easy installation and hassle-free maintenance. Backed by Thorn's legacy of quality and innovation, College 2 comes with the added assurance of a 5-year warranty.



Education



Office



Healthcare




# THE COLLEGE LUMINAIRE REBORN

IP44 Rated for a high-level of Ingress Protection from water, moisture, dust and dirt (IP40 with Sensors)

Soft, low-glare (UGR < 19), diffused light with high colour rendering up to CRI 90

Quad Linear prismatic diffuser provides a carefully controlled output, including 14 % upward light creating a soft pool to the sides above the luminaire



Seven mounting options supported

Hinged gear tray for easy installation and maintenance

Locking end caps for safety and security



Comprehensive offer of carefully integrated controls and sensors providing functionality such as Occupancy detection, Daylight Dimming and Bluetooth wireless control

# ELEVATE YOUR ENVIRONMENT

## CLASSROOMS

Provides soft, low-glare lighting (UGR < 19) with excellent diffused cylindrical illuminance, enhancing visual communication and comfort.

## HALLS

Delivers up to 6500 lumens, making it ideal for high-mounting applications such as large assembly halls and lecture theatres.

## LABS AND WORKSHOPS

Meets IP44 ingress protection standard, suitable for science labs and workshops as required by many educational authorities.

## CORRIDORS AND STAIRWAYS

Offers lower lumen outputs and effective upward lighting to minimise shadowing in corridors and stairways.



## OFFICES

Combines excellent cylindrical illuminance with 14% upward light, ensuring optimal lighting for tasks, spaces, and facial visibility.



## MEETING ROOMS

Optional lighting controls support versatile use of the space, such as dimming configurations for presentations and video conferences.



## HOSPITAL WARDS

Provides diffused, low-glare lighting with excellent cylindrical illuminance to enhance comfort and communication in care environments. Optional Nightlight function available.\*

## NON-CRITICAL OBSERVATION AREAS

High colour rendering (CRI > 90) is offered as a standard option, supporting accurate visual assessments, crucial for diagnosing conditions based on skin or eye colour.

\*Special order

# DESIGNED FOR FLEXIBILITY



## MOUNTING OPTIONS

College 2 has been engineered for seamless integration across a wide range of ceiling types with an unprecedented seven mounting options, making this luminaire as installer-friendly as possible with maximum flexibility.

Added to this unique feature, with an eye on refurbishment, a simple 1-for 1 replacement for legacy College luminaires is possible due to the considered design in the luminaire's casing and mounting holes.





**CEILING MOUNTED**



**SUSPENDED**



**BESA MOUNTED**



**CONDUIT MOUNTED**



**CONTINUOUS RUNS**



**CONTINUOUS RUNS WITH INFILL ADAPTER**

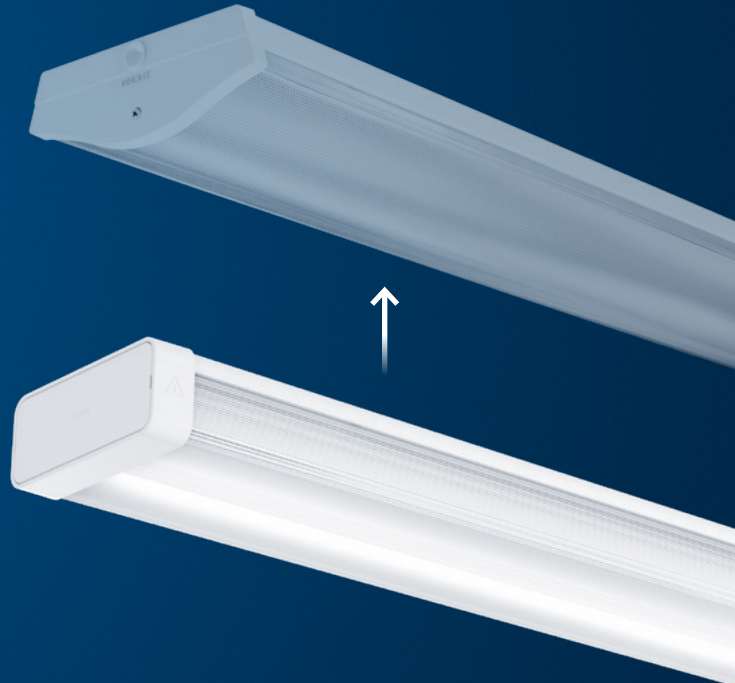


**THORN CONTUS TRACK COMPATIBILITY**

# DIRECT 1-TO-1 REPLACEMENT

Enables quick and easy replacement of all existing installed T8, T5 & LED Thorn College legacy luminaires.

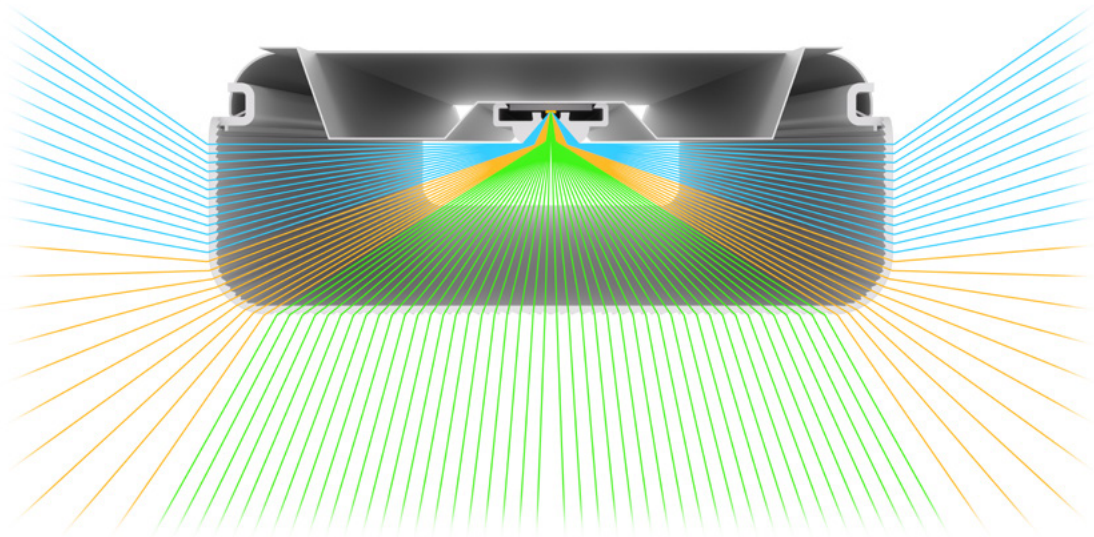
No redecorating required for surface mounting, as the new footprint is slightly longer and wider than the existing College luminaire as well as featuring replicated fixing points.



# OPTICAL DESIGN WITH UNMATCHED PERFORMANCE

College 2 features a single LED Light Engine integrated with a precision-engineered Bi-Lens Primary optic and a Quad Linear prismatic diffuser, delivering exceptional lighting quality and a refined illuminated effect.

The diffused light ensures excellent vertical uniformity, enhancing visual communication through improved facial recognition, an essential factor, given that approximately 70 % of human communication is non-verbal.



Through cutting-edge optical design, light is driven downwards, sideways and upward

## LIGHTING'S FUNDAMENTAL IMPACT ON HUMAN PERFORMANCE

### PRODUCTIVITY

- Enhances task efficiency by improving visibility and reducing eye strain
- Supports better information absorption when reading or using digital devices through even surface illumination

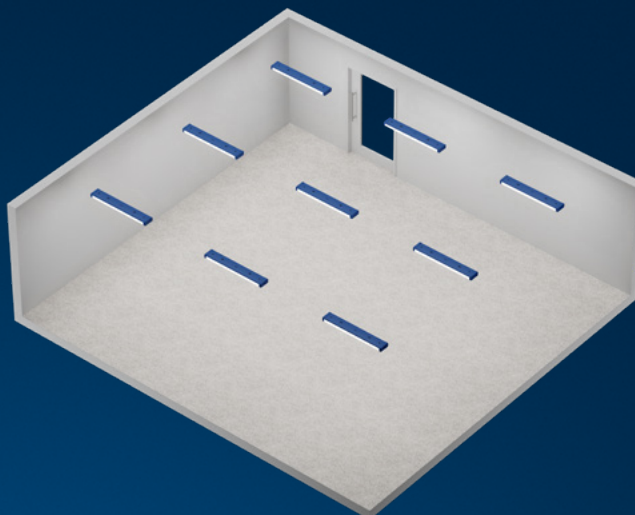
### COMFORT

- Creates a visually balanced environment with uniform lighting across walls, ceilings, and surfaces
- Promotes focus and well-being, making it easier to work and learn effectively

### COMMUNICATION

- Improves facial recognition by using diffuse lighting and balanced cylindrical illuminance
- Reduces shadows, enhancing visibility of expressions and gestures
- Encourages engagement by supporting clearer non-verbal communication

# EXCEEDING CLASSROOM LIGHTING STANDARDS

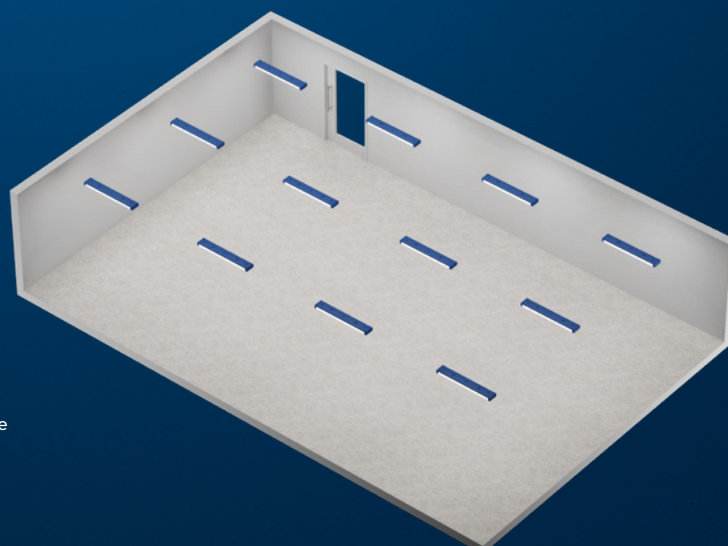


## SMALL CLASSROOM (60 M SQ) 2.7 M CEILING HEIGHT AND MOUNTING HEIGHT

Variant	4600 lumen, 1500 mm	
	Target	Achieved
Horizontal/task (lux)	500	518
Uniformity (task)	0.6	0.9
Walls (% of horizontal)	50	52
Ceiling (% of horizontal)	30	37
Cylindrical (Ecycl)	> 250	370
Discomfort glare (UGR)	< 19	< 14
Maintenance factor (calculated)		0.80

## LARGE CLASSROOM (90 M SQ) 2.7 M CEILING HEIGHT AND MOUNTING HEIGHT

Variant	6500 lumen, 1500 mm	
	Target	Achieved
Horizontal/task (lux)	500	613
Uniformity (task)	0.6	0.9
Walls (% of horizontal)	50	51
Ceiling (% of horizontal)	30	35
Cylindrical (Ecycl)	> 250	350
Discomfort glare (UGR)	< 19	< 17
Maintenance factor (calculated)		0.80



All calculations made using EN12464-1 2021 guidance

# IMPROVING CLASSROOM ACOUSTICS

Contemporary classroom designs often emphasise aesthetics and flexibility, but this can come at the expense of sound quality. Inadequate sound absorption and prolonged reverberation can result in distracting echoes, making it more difficult for students to concentrate and engage. To foster more effective learning environments, whether in classrooms, offices, or collaborative spaces, it is crucial to minimise reverberation times and prioritise good acoustic design.

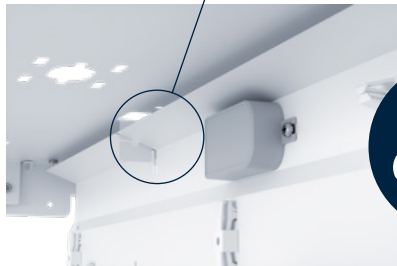


“ A statistically significant positive relationship between teachers' perceptions of classrooms' lighting and acoustic conditions and study success\* ”

\*Reference: <https://connect.thornlighting.com/classroom-environment>



# SMARTER INSTALLATION. SAFER MAINTENANCE. SUSTAINABLE DESIGN.



Featuring a patent-pending hinged gear tray, the College 2 luminaire redefines ease and safety in lighting installation.

## **EFFORTLESS INSTALLATION**

With the control gear separated from the spine, the luminaire can be surface or suspension-mounted without the burden of overhead weight. Once the spine is secured, the gear tray simply hooks into two key slots, hanging safely in place for convenient wiring at eye level.

## **QUICK AND SECURE SETUP**

After wiring, the tray swings upward and locks into position with two screws. This intuitive design means no more working above head height, reducing strain and improving safety.

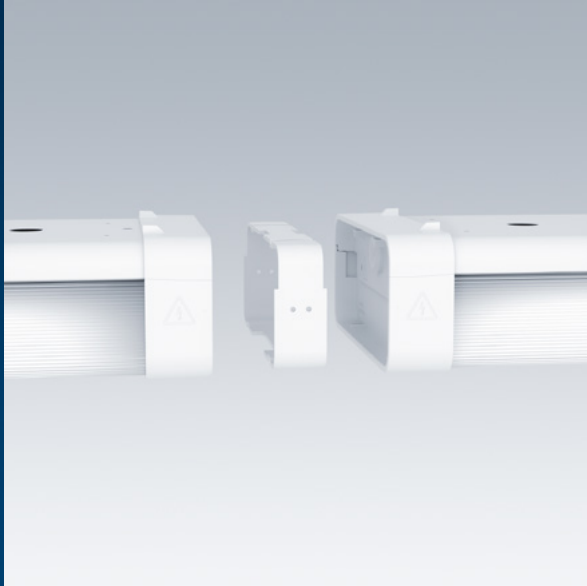
## **EASY MAINTENANCE**

Unlike many competitor products, College 2 allows for ground-level servicing without removing the luminaire body. Future upgrades or maintenance are fast, safe, and straightforward.

## **SUSTAINABLE BY DESIGN**

The hinged gear tray supports second-life applications. It can be detached and remanufactured on-site or off-site, without dismantling the installed body. A smart solution for both convenience and sustainability.

# SEAMLESS PRECISION WITH CONTINUOUS RUN CONNECTOR



Experience effortless alignment and a flawless finish with our patent-pending Continuous Run Connector, engineered for speed, simplicity, and precision.

## **CLEAN, HIDDEN CONNECTION**

No visible brackets or jigs, just a smooth, uninterrupted line of light.

## **QUICK AND EASY INSTALLATION**

A keyed push-fit design ensures correct orientation every time, with no tools or guesswork.

## **VERSATILE COMPATIBILITY**

Works seamlessly with both sensor and non-sensor variants and can be installed end-to-end or with optional infill panels.

## **SECURE AND SLEEK**

Discreetly fastened using white-painted Torx screws for a clean, professional look.

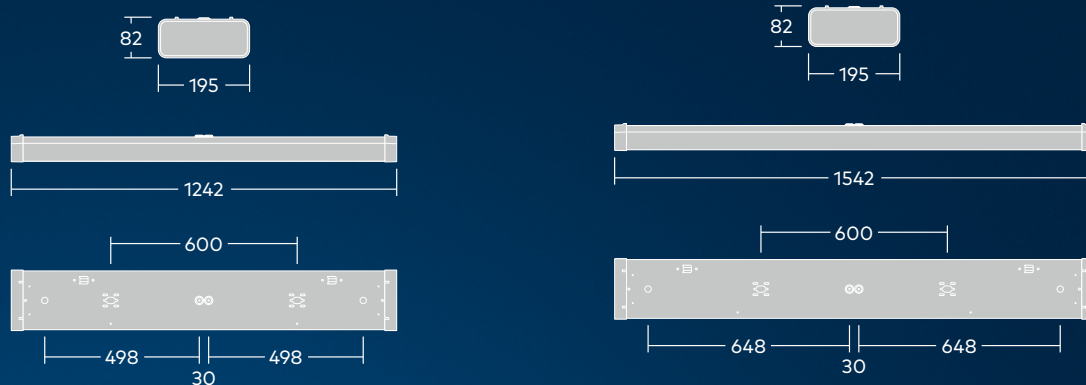
## **PERFECT ALIGNMENT, EVERY TIME**

Achieve consistent horizontal and vertical alignment across the entire run.

## **EASY MAINTENANCE ACCESS**

Service any luminaire in the run without removing adjacent units.

# COLLEGE 2



1200 MM

1500 MM

	3000 K, 4000 K	
	3000, 4300 lm	3000, 4600, 6500 lm
	Up to 145 lm/W (CRI80 @ 4000 K)	
	80, 90	
	14 %	
	< 19 (< 22 @ 6500 lm)	
	IP44 (IP40 with Sensors)	
	0 °C to 25 °C	
	IK05 (IK02 with Sensors)	
	L80 100,000 h @ 25 °C	
	Surface, Suspended, BESA, Contus, Conduit entry. Continuous row connections possible with optional accessory when surface mounted or suspended	
	White	
	1 kV	
	Fixed Output (HF), DALI-2 dimmable (HFIX), Passive Infrared sensor (PIR), Passive Infrared sensor with DALI (PIRDA), Passive Infrared standalone/master (PIRILD), basicDIM Bluetooth® Wireless with PIR sensor and DALI (PIRDBC), basicDIM Bluetooth® Wireless with PIR sensor (PIRBC), basicDIM Bluetooth® Wireless (BC)	
	3 hr manual test, LiFePO4 (E3), 3 hr addressable/self-test LiFePO4 (E3D, E3DUK), Central battery emergency compatible with HFIX variants (EC)	
	MacAdam 3	



As a globally leading luminaire manufacturer, Thorn Lighting provides a five-year warranty for its complete product range within all European Countries.  
thornlighting.com/guarantee

Thorn Lighting is constantly developing and improving its products. All descriptions, illustrations, drawings and specifications in this publication present only general particulars and shall not form part of any contract. The right is reserved to change specifications without prior notification or public announcement. All goods supplied by the company are supplied subject to the company's General Conditions of Sale, a copy of which is available on request. All measurements are in millimetres and weights in kilograms unless otherwise stated.  
06/2025 (INT)

**WE  
MAKE  
LIGHT  
WORK**