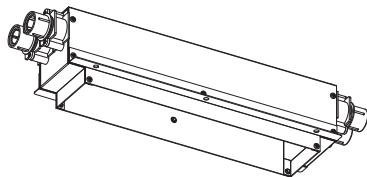


# THORN

Betoneinbaukasten  
Cement assembly box  
Boîte d'installation en béton

# VOYAGER Style

Caja de instalación de hormigón  
Box di installazione in calcestruzzo  
Betonnen inbouwdoos



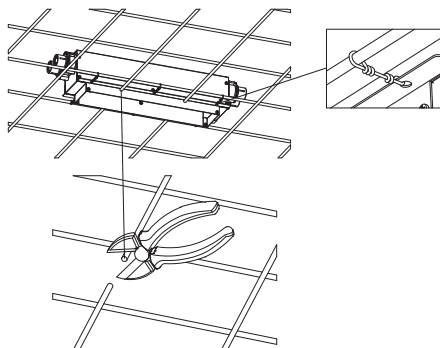
1.

Diagram illustrating the first step of installation: drilling four holes into the concrete box. A power drill is shown drilling a hole with a diameter of  $\text{Ø}5.5$ . The quantity of boxes is indicated as **x 4**. The required hardware is listed as: **x 4** (anchors), **x 4** (sleeves), and **x 8** (screws).
2.

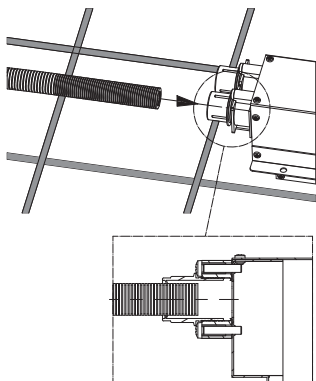
Diagram illustrating the second step: driving the anchors into the drilled holes. A hammer and a screwdriver are shown. The quantity of boxes is indicated as **x 4**.
3.

Diagram illustrating the third step: tightening the screws. A screwdriver is shown tightening the screws into the anchors. The quantity of boxes is indicated as **x 4**.

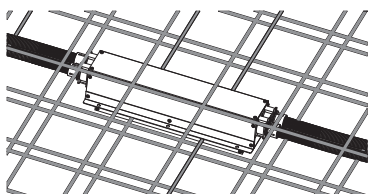
4.



5.



6.



7.

