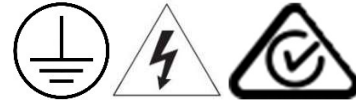


# Recuvo C

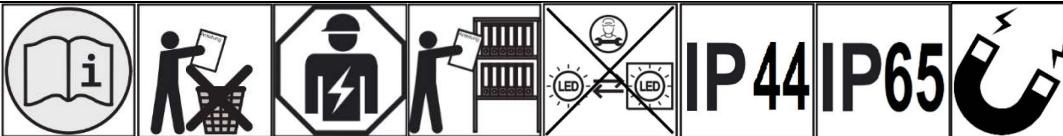
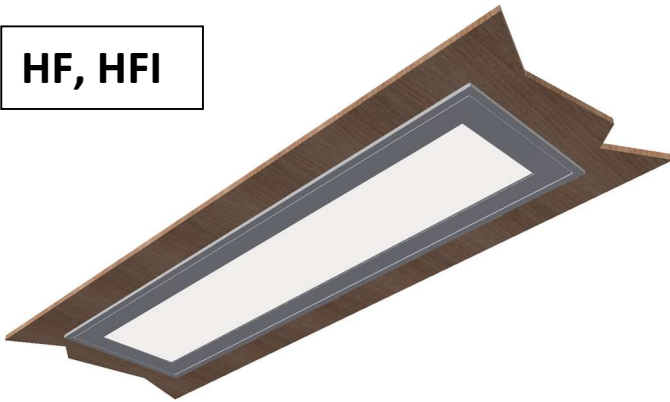
**THORN**  
LIGHTING

IP44 - IK08



IP65 - IK08

**HF, HFI**



## Specification

This luminaire is designed to comply with the requirements of AS/NZS 60598.

**Supply Voltage:** 240V ~ 50Hz

**Classification For Protection:** Against electric shock: Class 1 earthed metalwork.

**IP Rating:** IP44 – IP65 Important: A 6-10mm diameter - supplied- non replaceable electrical supply cable must be used to maintain the IP rating.

**IK Rating:** IK08 (5 Joules)

**Maximum ambient operating temperature:**

Up to Ta: 40°C

## Warning:

Installation must be carried out by a qualified electrician in accordance with local wiring regulations.

Any modifications to the luminaire may be carried out exclusively by qualified personnel and according to applicable provisions and regulations.

**Caution:** Risk of electric shock.

Ensure that the rated voltage and frequency of the luminaire are compatible with the electrical supply. Disconnect mains power supply before installing, servicing, or maintaining the luminaire.

Hot plug-in is not an option! This means that the luminaire must always be disconnected from the mains whenever it is being worked on. Otherwise, there is risk of damage to the LED.

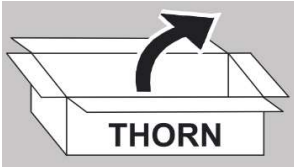
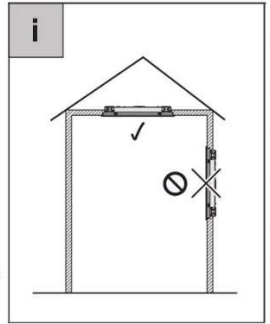
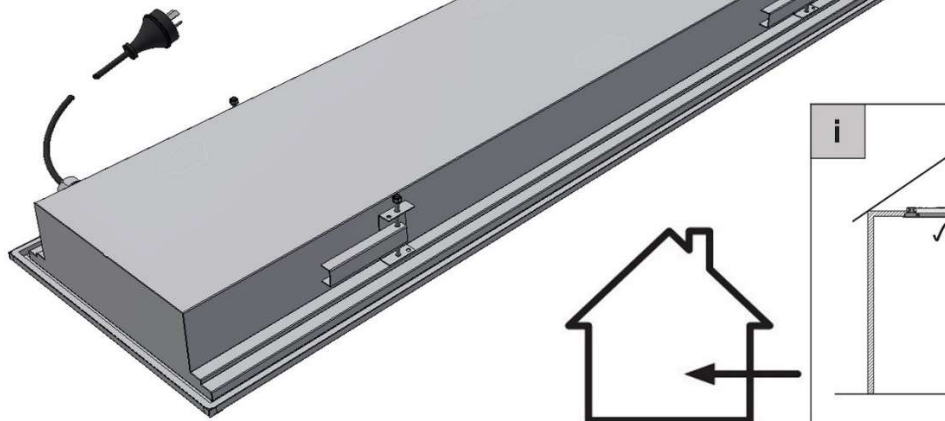
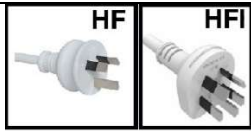
The manufacturer shall not be liable for any damage resulting from inappropriate modifications to the luminaire or faulty installation!

**Non user replaceable light source:**

The light source contained in this luminaire shall only be replaced by the manufacturer or his service agent or a similar qualified person.

**Changes to specification:**

The right is reserved to change the design and/or specification without prior notice or public announcement.



**i** **6x6**

**8.8 kg**

**6x3**

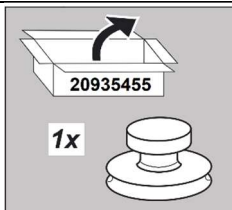
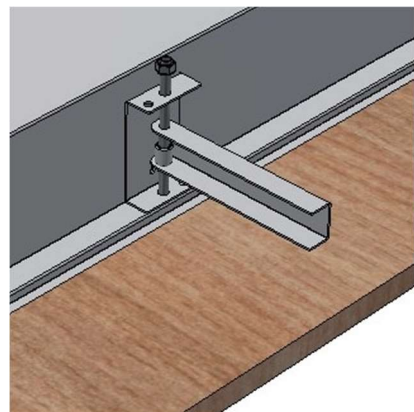
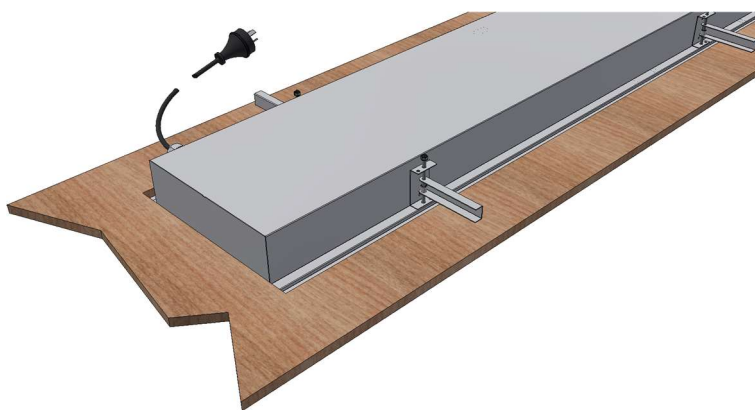
**5.5 kg**

**12x3**

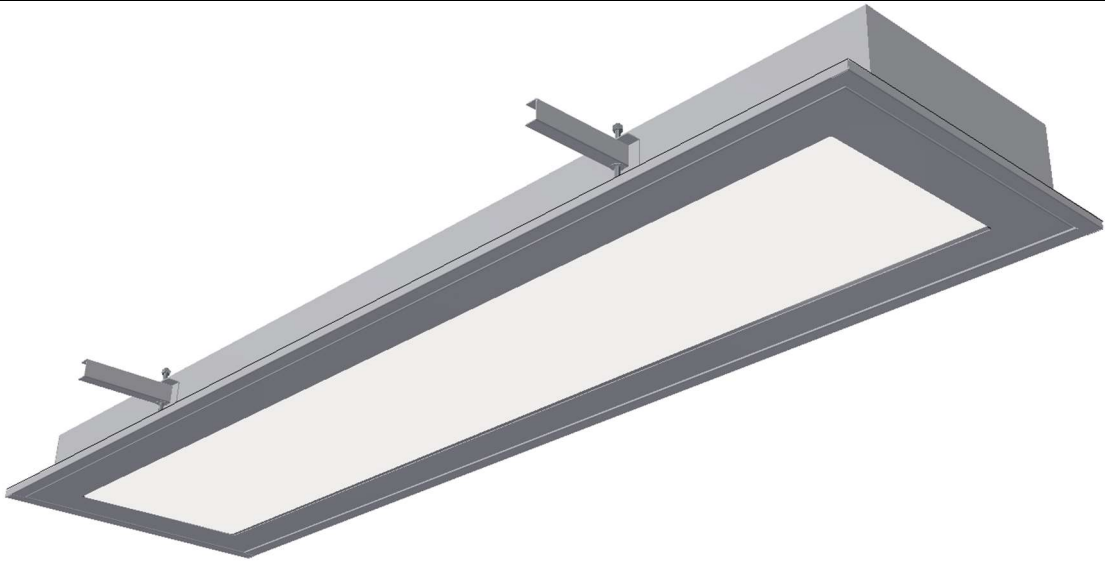
**9.5 kg**

## MOUNTING

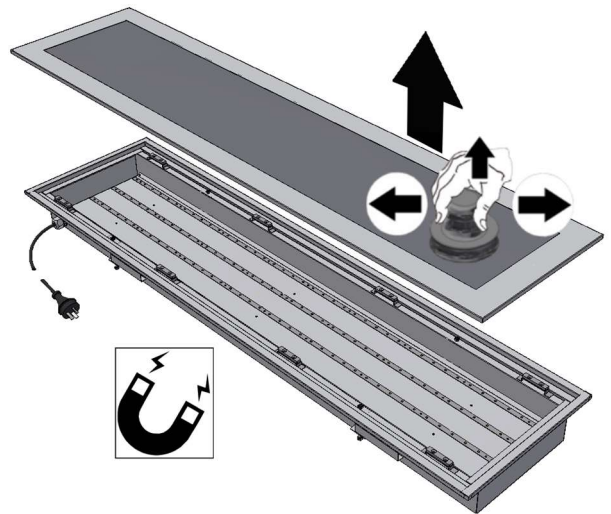
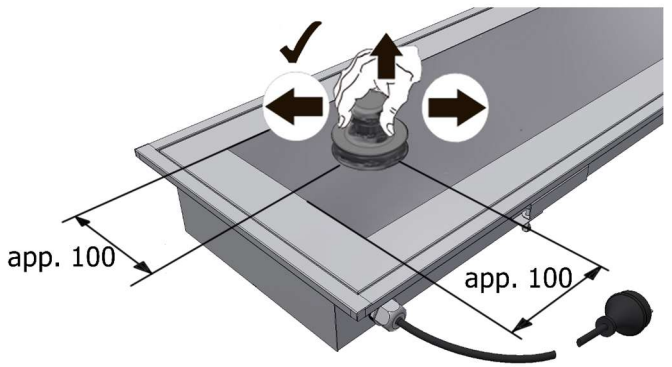
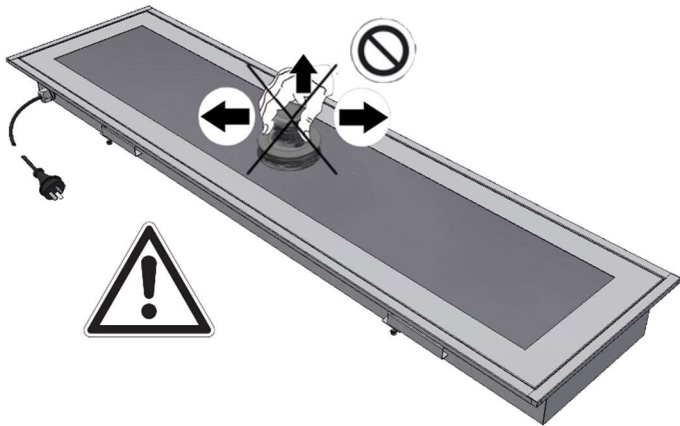
Levelling using supplied clamp set



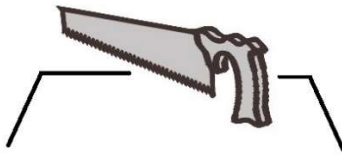
# OVERVIEW



1

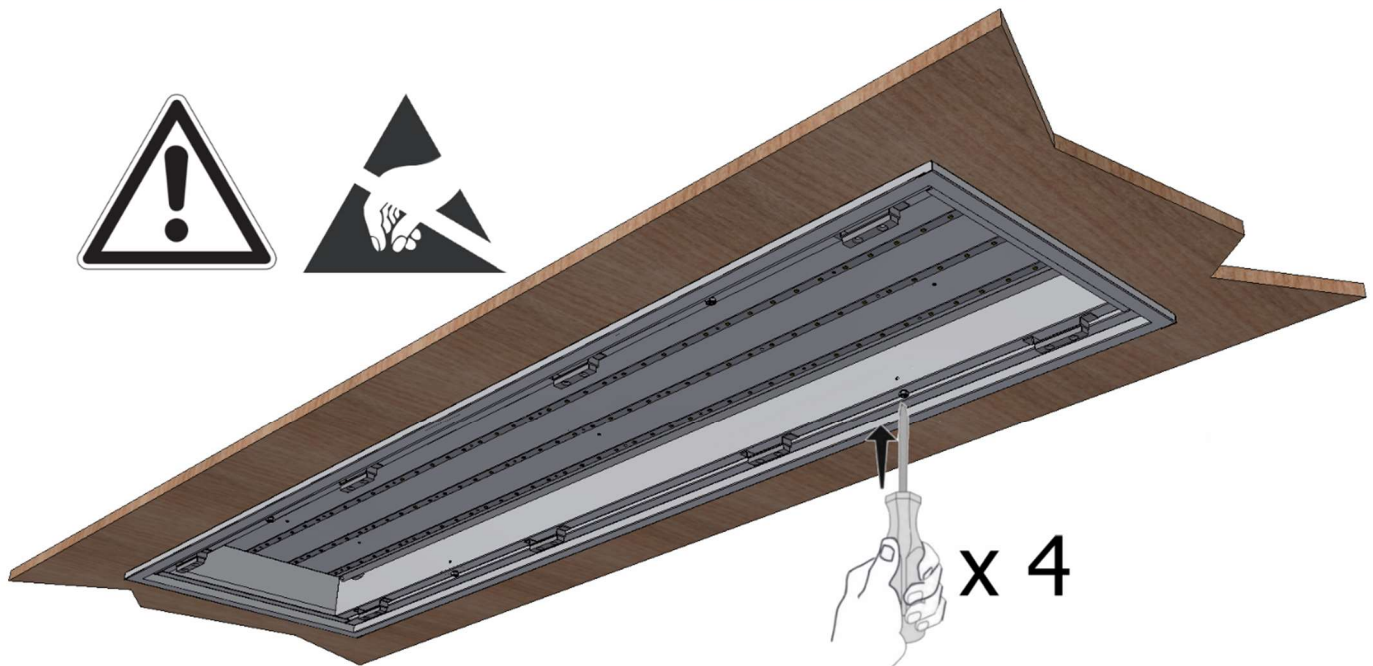
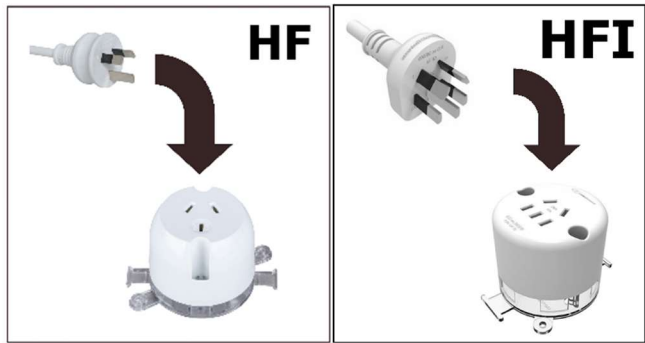
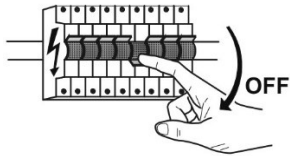


**i**

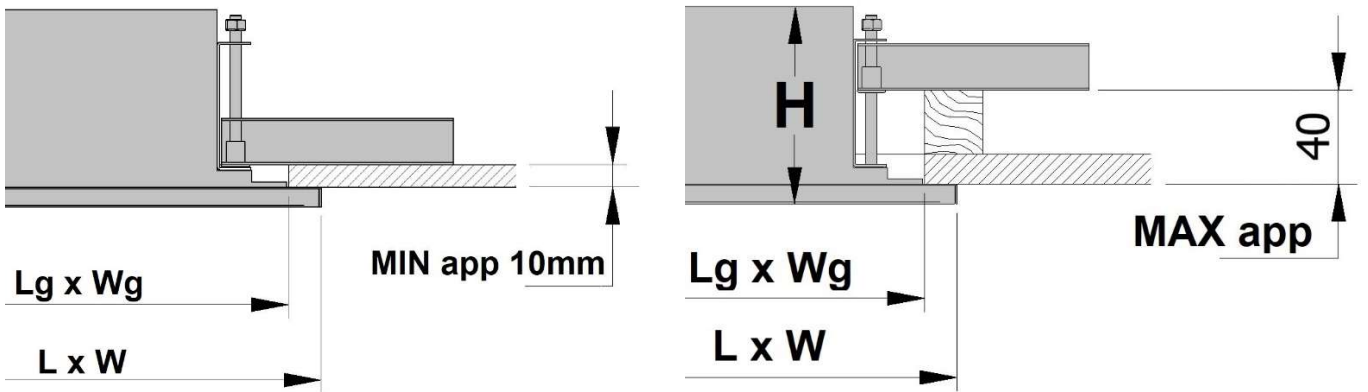
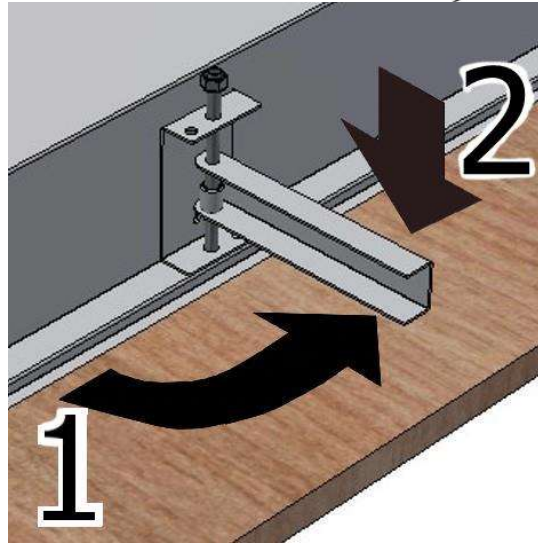
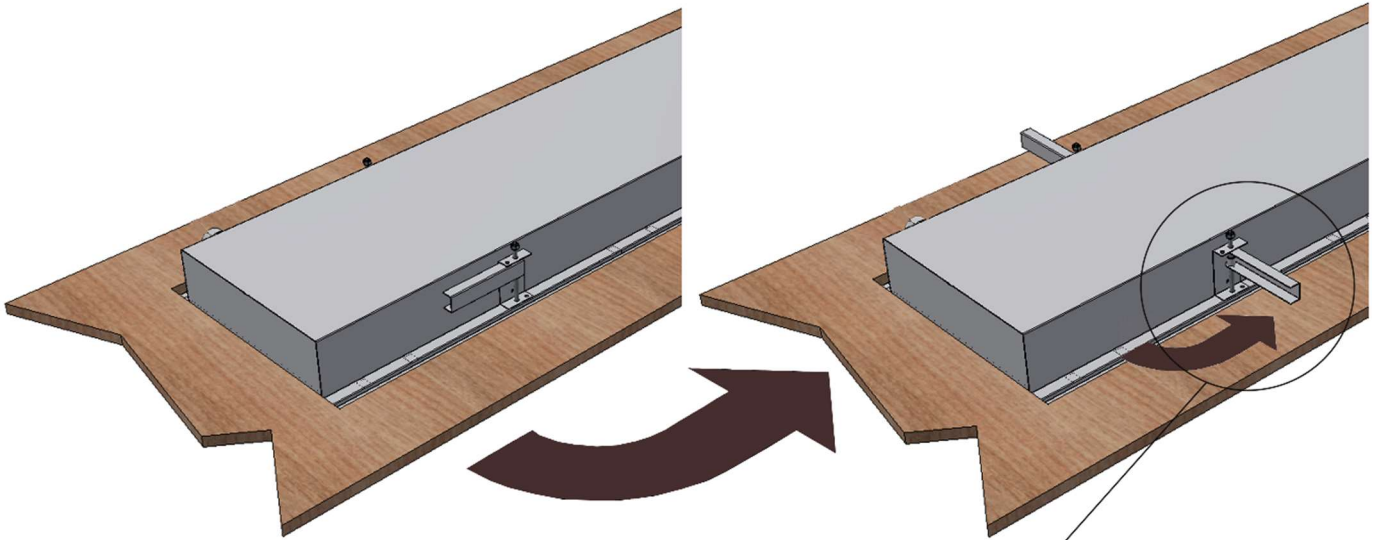


		<b>L</b>	<b>W</b>	<b>Lg</b>	<b>Wg</b>	<b>H</b>	<b>kg</b>
	6x3	630	324	602	296	80	5.5
	6x6	630	630	602	602	80	8.8
	12x3	1230	324	1202	296	80	9.5

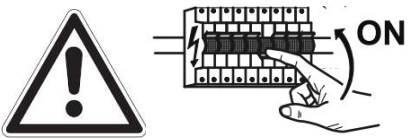
**2**



3



4



Code 96653014- rev A (18/4/24)

ZG Lighting Australia Pty Ltd  
+61 1300 139 965  
[info.au@zumtobelgroup.com](mailto:info.au@zumtobelgroup.com)