

LED FIT 2

Flood light

THORN

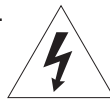
EN Installation Instructions
DE Montageanleitung
CZ Montážní návod
DK Monteringsvejledning
EE Paigaldusjuhend
FI Asennusohje
FR Notice de montage
HU Szerelési útmutató

HR Uputstvo za montažu
NL Montagehandleiding
RO Instructiuni de montaj
IT Istruzioni di montaggio
LT Montavimo Instrukcijos
LV Instalācijas instrukcija
NO Monteringsanvisning
PL Instrukcja montaży

SE Installationsanvisning
RU Инструкция по монтажу
SRB Instrukcija za instalaciju
SK Montážny návod
SLO Navodilo za montažo
CN 安装说明书

WARNING:

1. Ensure that any installation and maintenance be performed by a qualified electrician and that luminaire be wired in accordance with the latest IEE electrical regulations or the local equipments.
2. Ensure that the power supply is off before performing installation and maintenance and not switched on until the installation or maintenance is completed.
3. The light source contained in this luminaire shall only be replaced by the manufacturer or his service agent or a similar qualified person.



Caution: Risk of electric shock

4. If the external flexible cord of this luminaire is damaged, it shall be exclusively replaced by the manufacturer or his service agent or a similar qualified person in order to avoid a hazard.
5. Only to be installed outside arms reach.
6. This product contains a light source of energy efficiency class D.
7. Normal industrial luminaire, NOT for extreme usage as Cold Storage, Chemical plants etc.



LED

CLASS I



CE



IP66

IK08

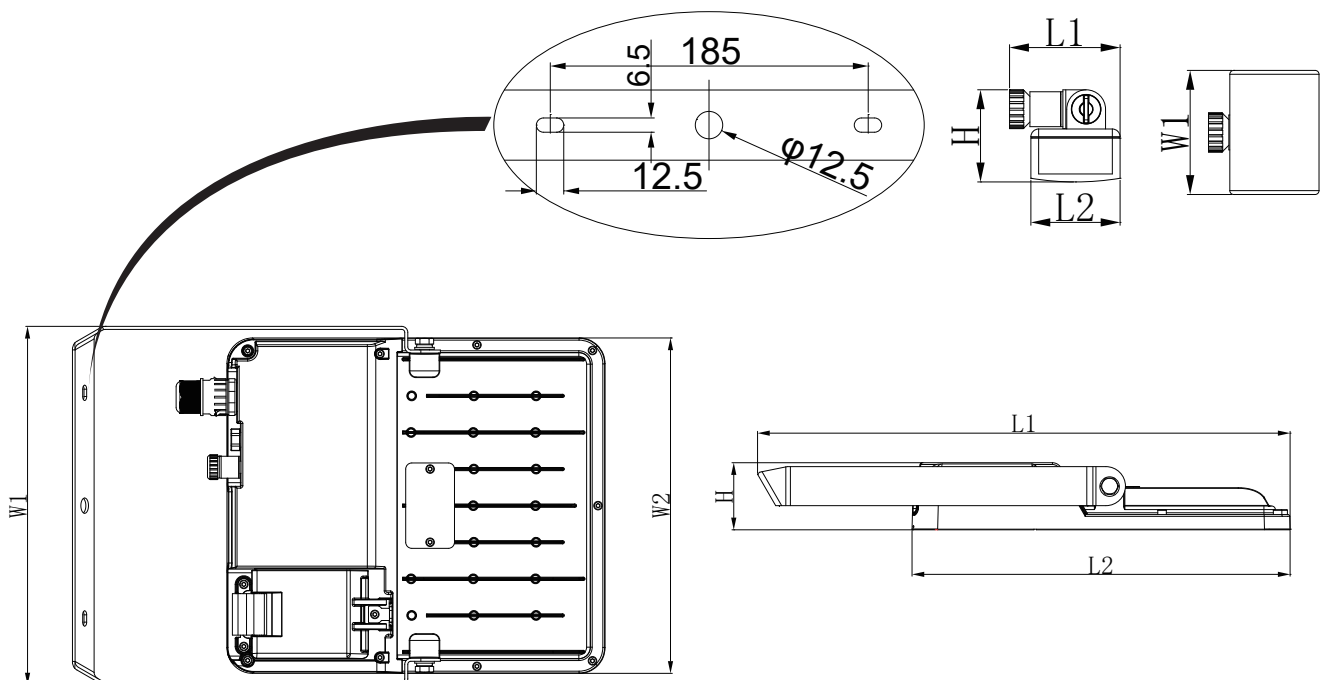
(with sensor version

IP65

IK04)

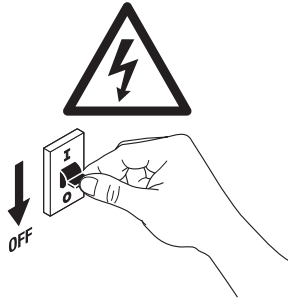
UKCA ENEC

Product Description	SAP Code	Watts	Lumens	CCT	L1 (mm)	L2 (mm)	W1 (mm)	W2 (mm)	H (mm)	Weight (kg)	Windage (Scx)
LED FIT2 30-60W 830-840 HFX GY	96638435	60W switchable to 30W	10000 switchable to 5000	4000K switchable to 3000K	440	310	295	275	55	3.3	0.01
LED FIT 2 PLUG&PLAY PHOTOCELL SENSOR	96638436	N/A	N/A	N/A	56.3	46	64	N/A	47.6	0.055	N/A

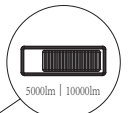
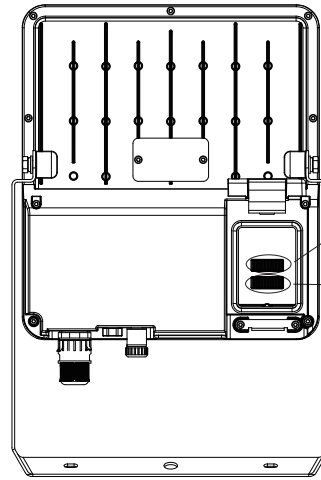


(AC Power Input 220-240V AC)

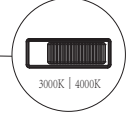
1



2



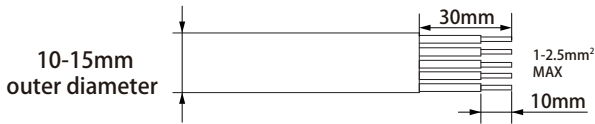
Power Switching



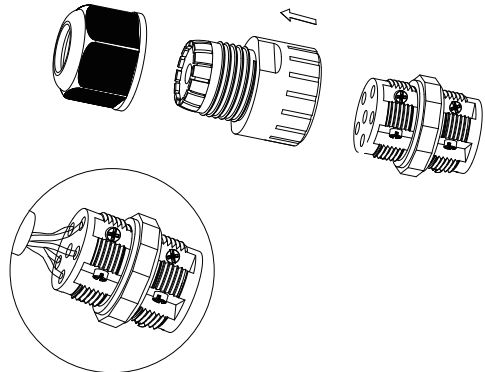
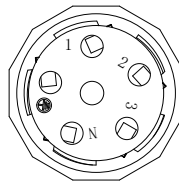
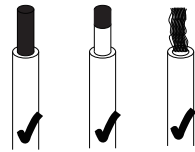
CCT Switching

1. When powered on, the power set through the power adjustment switch will activate the corresponding power after 7 seconds
2. The power that has been set through the power adjustment switch, if the lamp is powered off and restarted, the power will first reach the maximum power and then return to the original set power after 7 seconds
3. When the power is set to 30W, the DALI dimming curve will change to 0% -50% corresponding to 0-30W, and 50% -100% corresponding to 30W

3



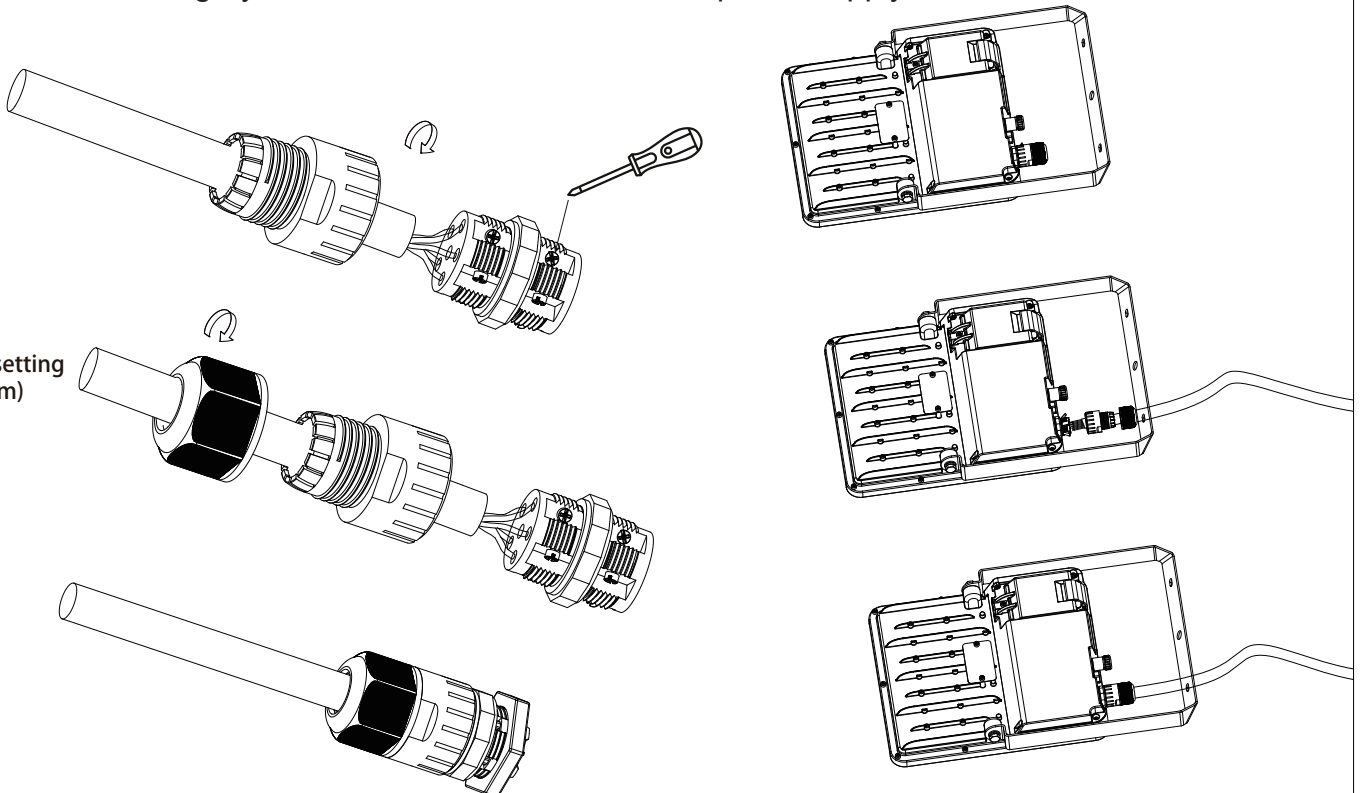
4



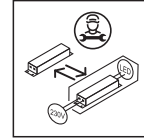
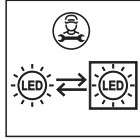
Number	1	N		2	3
Wire function	L	N		DA+	DA-

The insulation category of the control conductor and LV power supply is basic insulation.

Torque setting
0.85 (Nm)

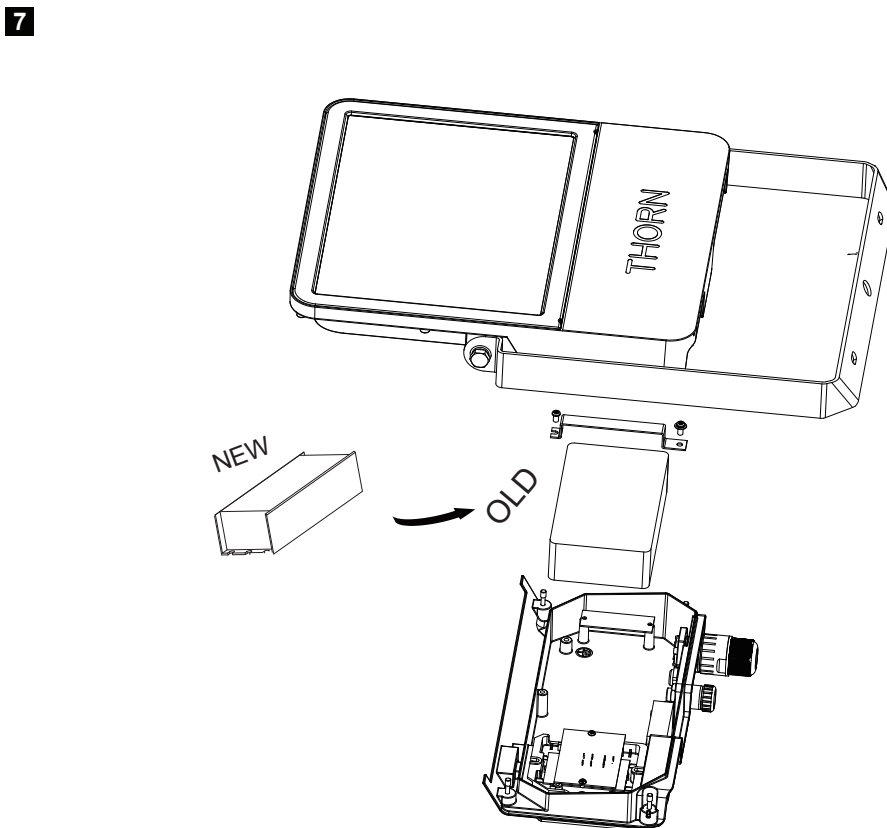
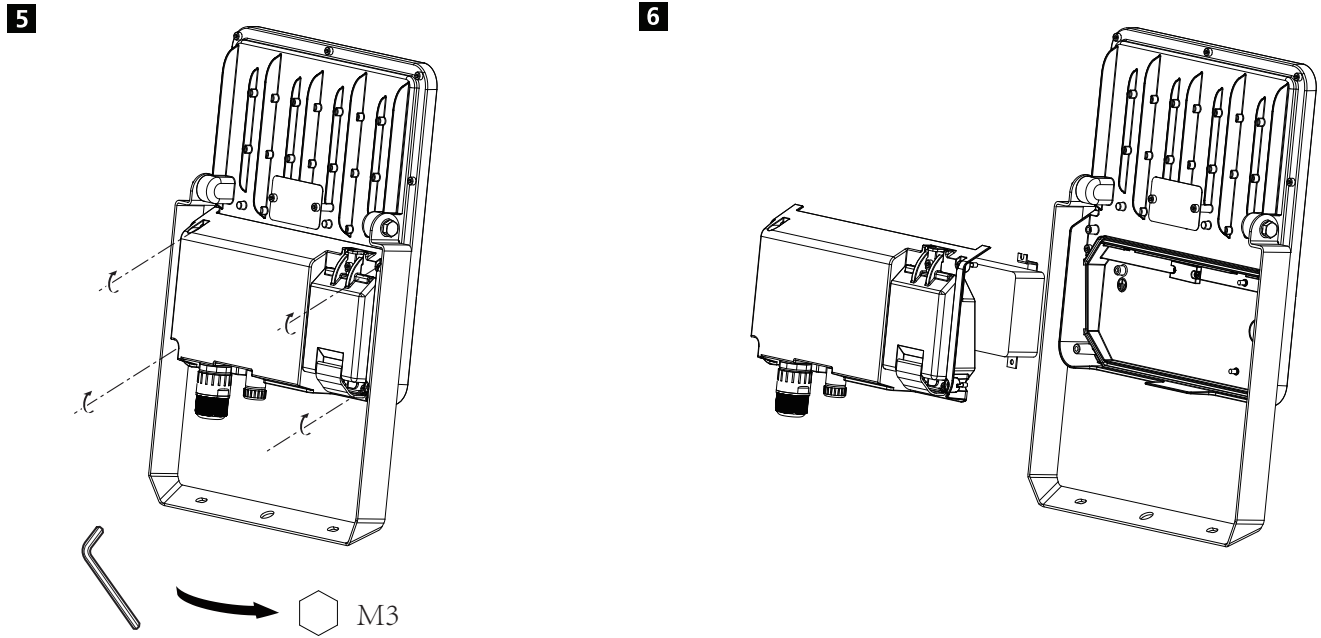


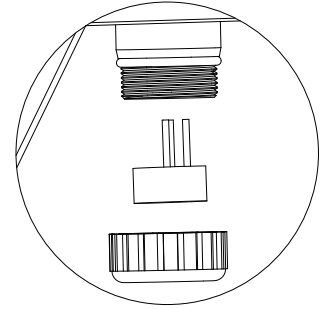
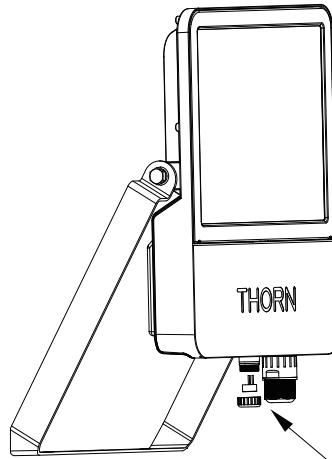
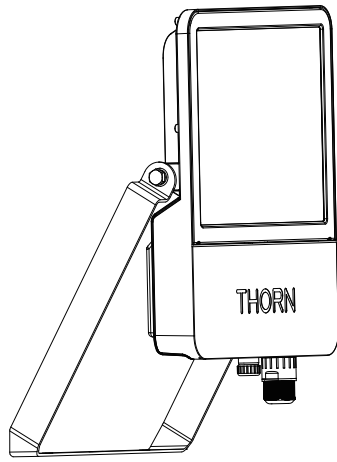
Info on replaceability:



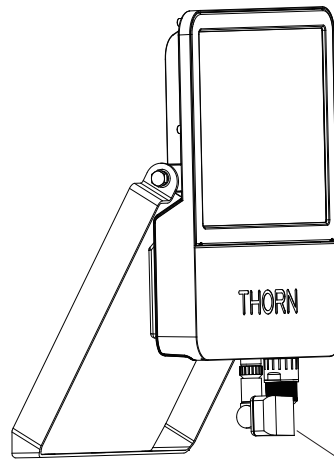
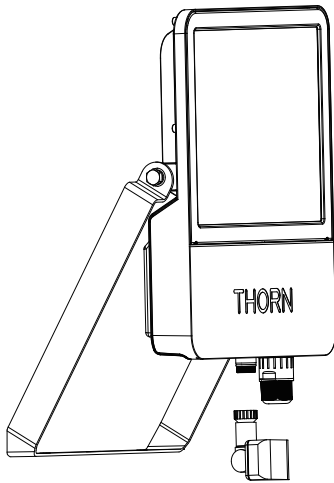
Contact THORN LIGHTING for details on replacement of the LED module

LED FIT 2 provides easy access to the gear compartment, to replace the driver easily





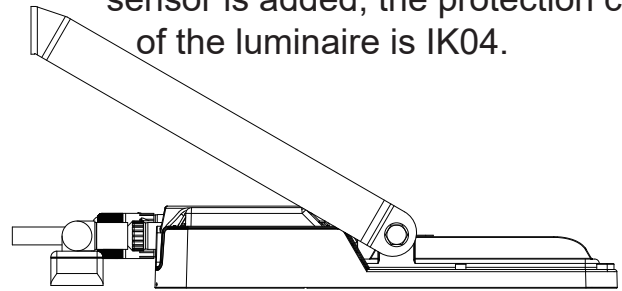
Remove the insert with a small screwdriver
Keep safe for future changes if required



IK04

For photocell sensor ES-G01K

When there is no sensor, the protection class of the luminaire is IK08. After the sensor is added, the protection class of the luminaire is IK04.



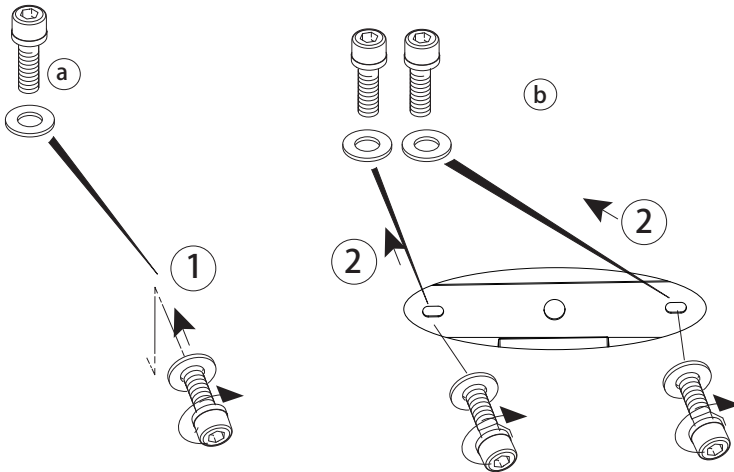
The product is horizontally installed on the wall.

Lux	<40Lux(ON)
	>200Lux(OFF)

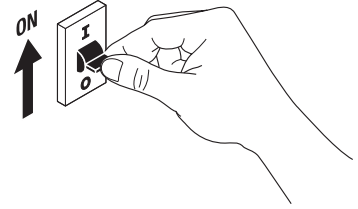
8

For installation higher > 3m
Secure product with retaining cable

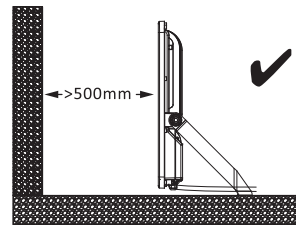
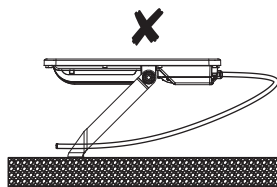
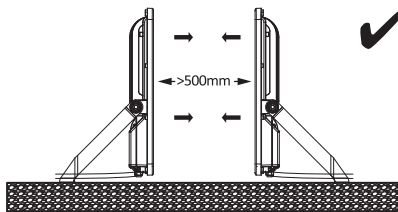
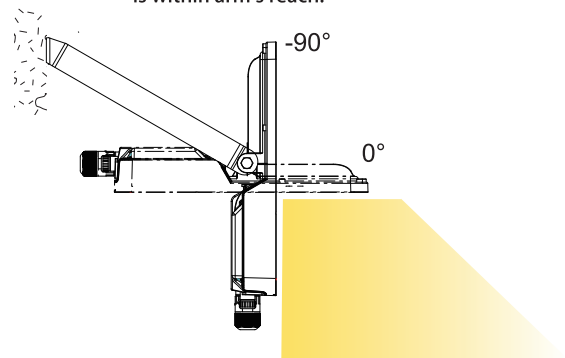
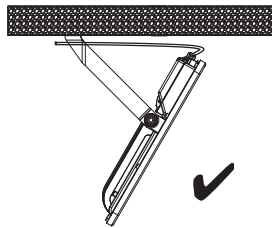
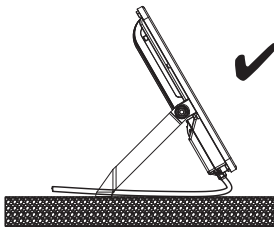
- OR
- (a) M10 with extra large washer (not provided)
 - (b) 2xM6 with extra large washer (not provided)



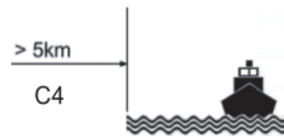
9



To reduce the risk of strangulation, the flexible wiring connected to this luminaire shall be effectively fixed to the wall if the wiring is within arm's reach.



Suggested installation height: 6m.



ENGLISH

- The fitting should not be exposed to harsh chemicals. (e.g. Acids, fertilisers or lime).
- Never allow visible parts of the luminaire to be covered.
- Luminaire must not be cleaned with high pressure washers.
- The fittings is not suitable for use in high chlorine environments such as spas and swimming pools.
- Do not expose the luminaire to petroleum.
- Operational ambient temperature range -30°C to 50°C.
- Do not use if the luminaire, connectors or cabling are damaged.
- Minimum distance to sea 5 km.

DEUTSCH

- Das Produkt darf keinen aggressiven Chemikalien ausgesetzt werden (z.B. Säuren, Düngemittel oder Kalk).
- Sichtbare Teile der Leuchten dürfen nicht bedeckt werden.
- Die Leuchte darf nicht mit Hochdruckreinigern gereinigt werden.
- Die Leuchte ist nicht für den Einsatz in chlorhaltigen Umgebungen wie Spas und Schwimmbädern geeignet.
- Die Leuchte darf nicht in Kontakt mit Ölen kommen.
- Betriebstemperaturbereich von -30°C bis 50°C
- Bei Beschädigung der Leuchte, Steckverbinder oder Kabel darf die Leuchte nicht weiter betrieben werden.
- Mindestabstand zum Meer 5 km.

FRANCAIS

- Les luminaire ne doivent pas être exposés à des produits chimiques agressifs (par exemple, des acides, des engrais ou de la chaux).
- Ne jamais recouvrir le luminaire .
- Le luminaire ne doit pas être nettoyé avec un jet haute pression .
- Les produits ne conviennent pas aux environnements à forte teneur en chlore tels que les spas et les piscines.
- N'exposez pas le luminaire à l'essence.
- Température ambiante d'utilisation -30°C à 50°C
- Ne pas utiliser si le luminaire, les connecteurs ou le câblage sont endommagés.
- Distance minimale à la mer 5 km.

ITALIANO

- Il raccordo non deve essere esposto a sostanze chimiche aggressive.(ad es. acidi, fertilizzanti o calce).
- Non lasciare mai che parti visibili dell'apparecchio siano coperte.
- L'apparecchio non deve essere pulito con l'idropulitrice.
- L'apparecchio non è adatto per l'uso in presenza di cloro alto p.es. ambienti spa e piscine.
- Non esporre l'apparecchio al petrolio.
- Intervallo di temperatura ambiente operativo da -30°C a 50°C.
- Non utilizzare se l'apparecchio, i connettori o il cablaggio sono danneggiati.
- Distanza minima dal mare 5 km.