

Installation Instructions

1. This product must be installed by a licensed electrical contractor strictly in accordance with local wiring rules.
2. If the external flexible cable or cord of this luminaire is damaged, it shall be exclusively replaced by the manufacturer or his service agent or a similar qualified person in order to avoid a hazard.
3. The light source contained in this luminaire shall only be replaced by the manufacturer or his service agent or a similar qualified person.
4. Terminal block not included. Installation may require advice from a qualified person.
5. This product is classified as Electrical and Electronic Equipment. Should the time come for you to dispose of this product please ensure that you do so in accordance with the European Waste of Electrical and Electronic Equipment (WEEE) Directive and in compliance with local laws relating to this directive.
6. A. For some models with dimming function, basic insulation is maintained between the LV power supply and the dimming control port.
 B. Applicable standards: GB/T 7000.201; GB/T 7000.202.

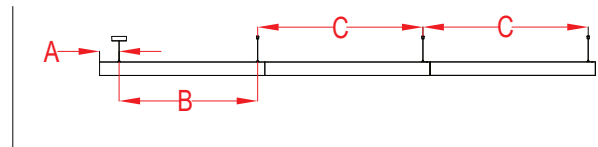
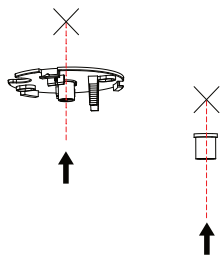
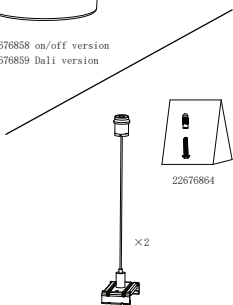


Suspension mounting

1

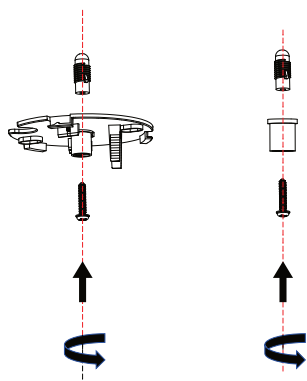


22676858 on/off version
 22676859 Dali version

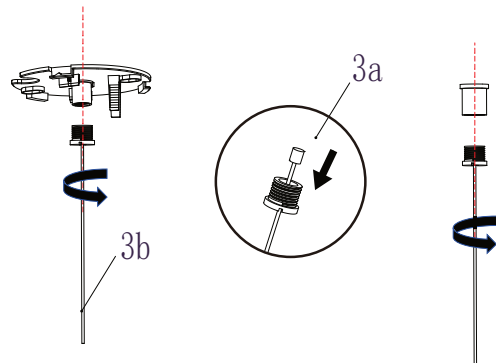


Model	A (without end cap)	B	C
L1000	44mm	913mm	1001mm
L1250	44mm	1163mm	1251mm
L1500	44mm	1413mm	1501mm
L1750	44mm	1663mm	1751mm

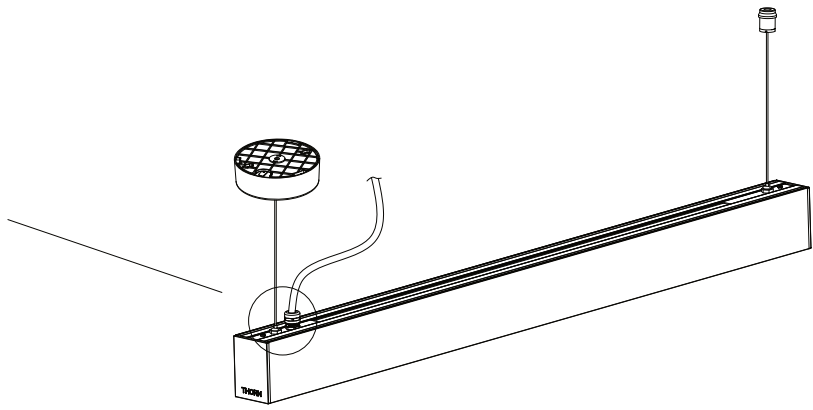
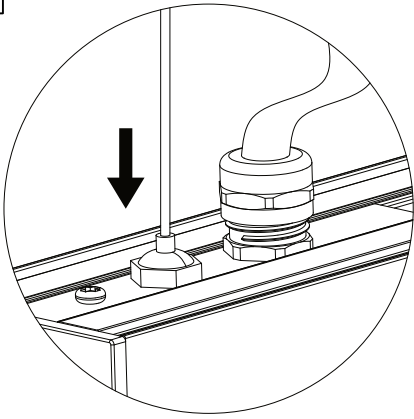
2



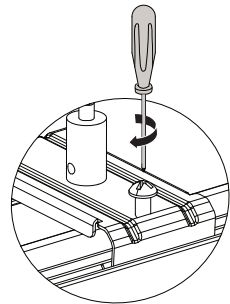
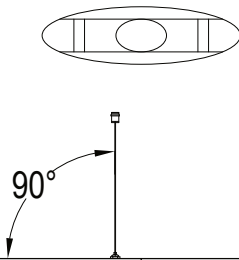
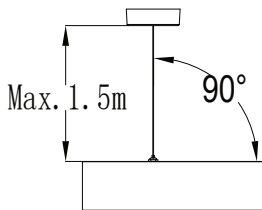
3



4



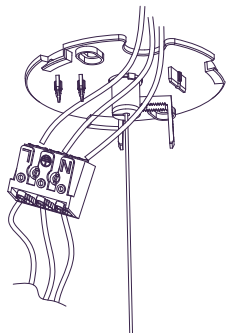
5



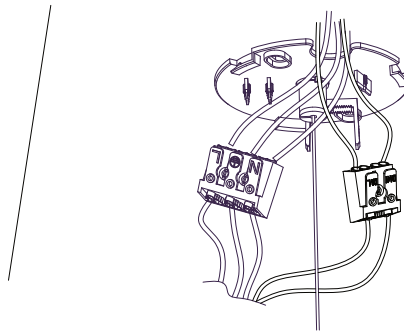
6

 AC 220-240V

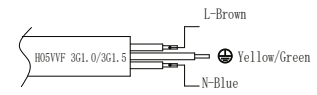
Requirements for external input wire



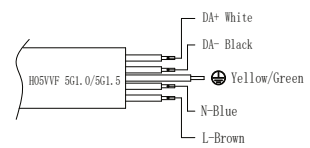
ON/OFF Version



Dali Version

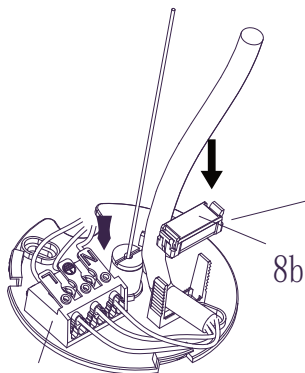


ON/OFF Version



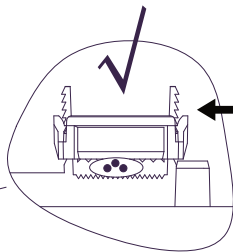
Dali Version

7



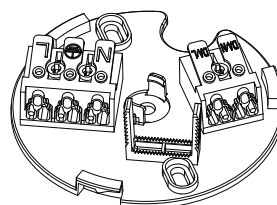
8a

ON/OFF Version



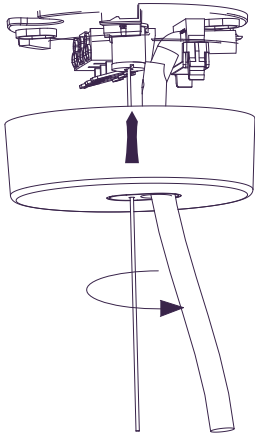
3G1.0 Fifth tooth → Finished luminaire
5G1.0 Fourth tooth

3G1.5 Fifth tooth → Continuous splicing luminaires
5G1.5 Fourth tooth

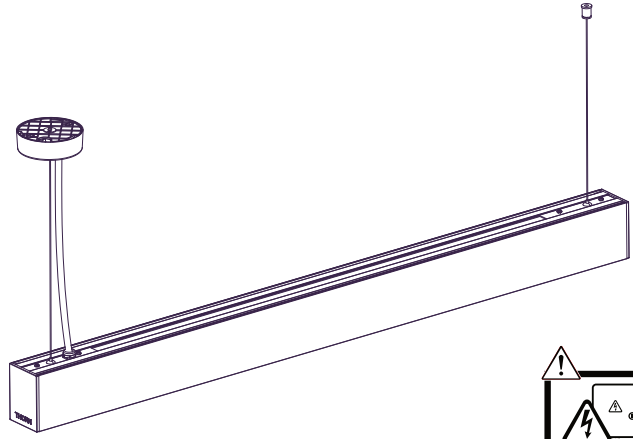


Dali Version

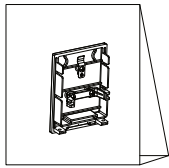
8



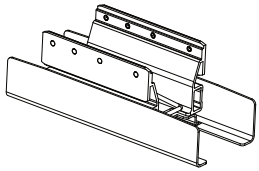
9



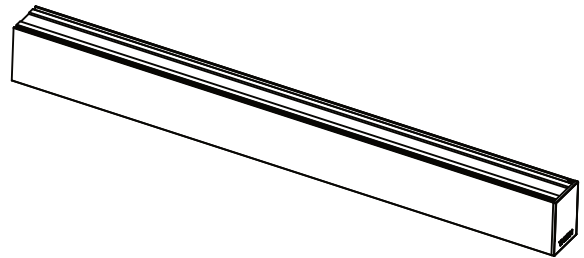
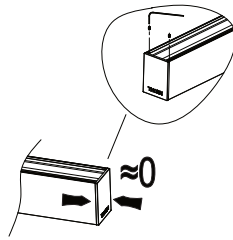
Interconnection installation



22676857

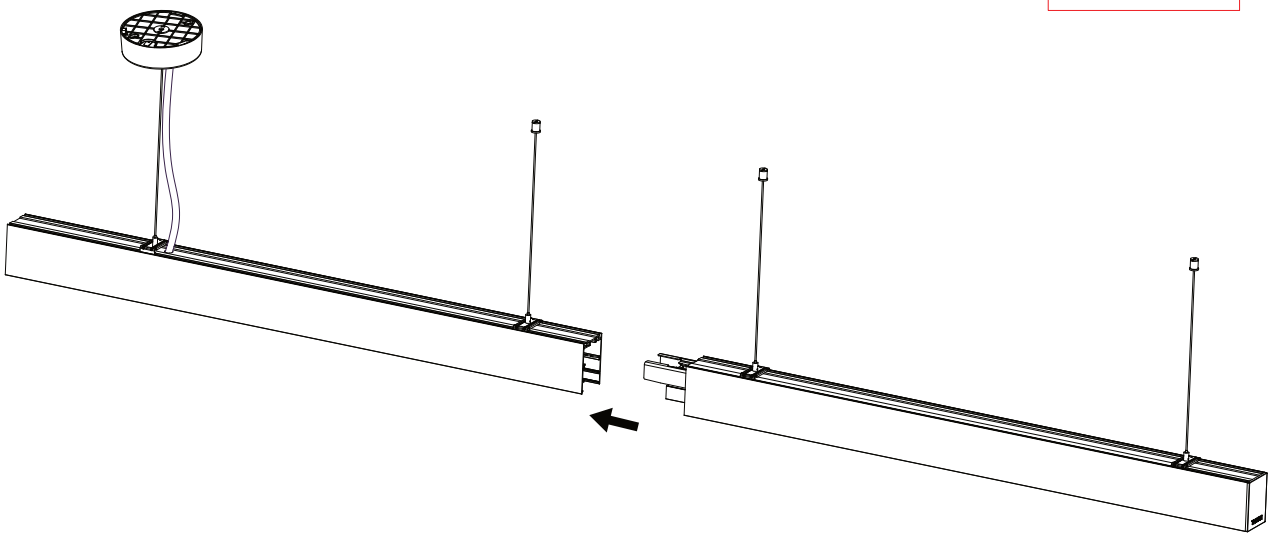
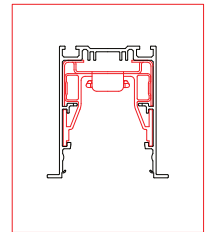


22676486

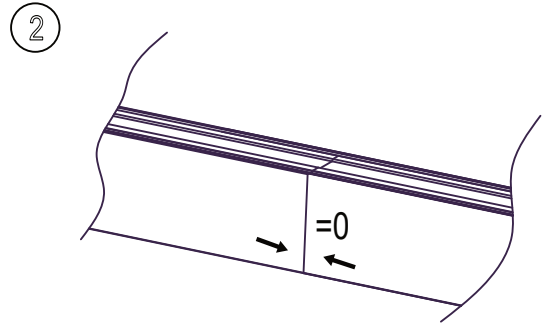
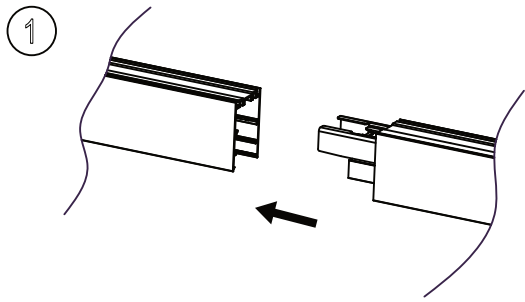


1

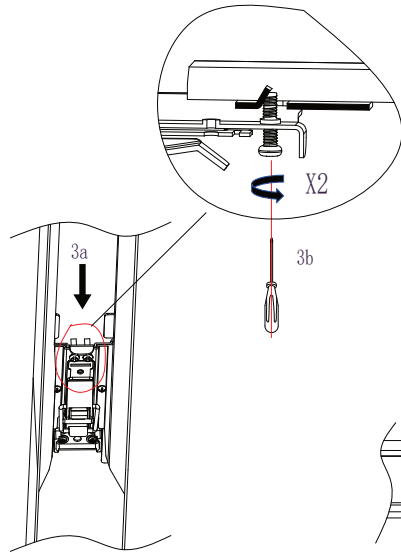
2



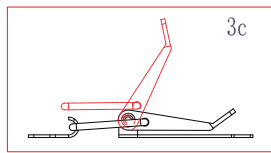
3



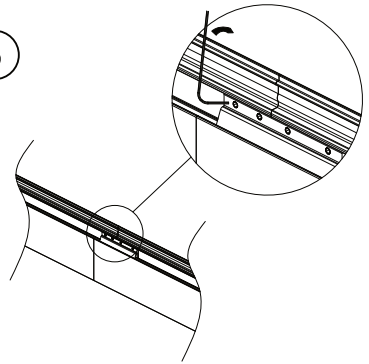
3



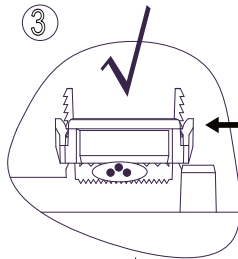
4



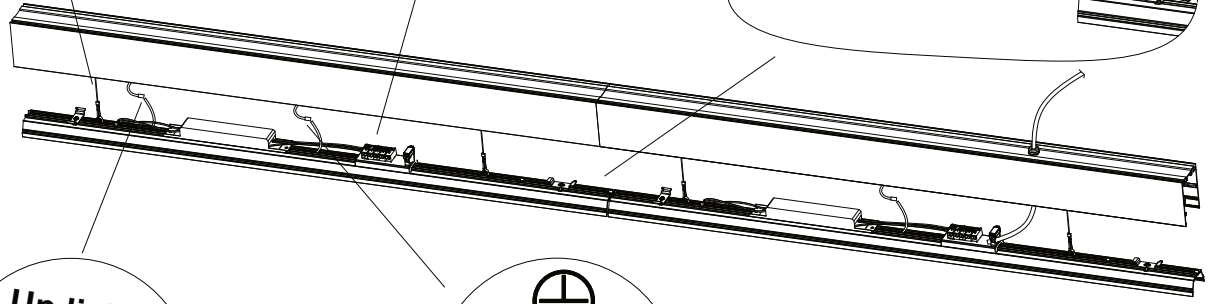
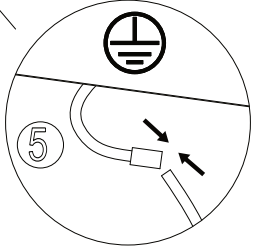
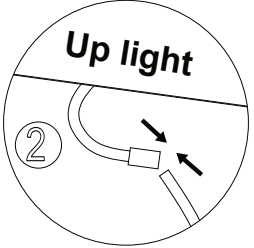
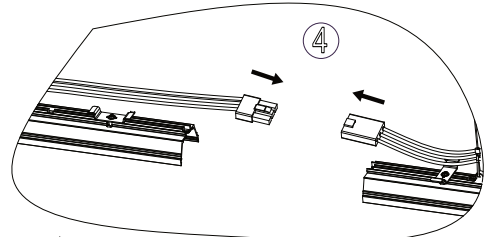
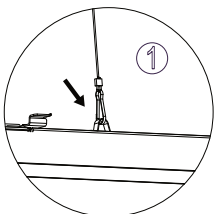
5



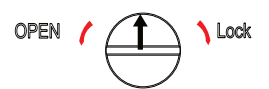
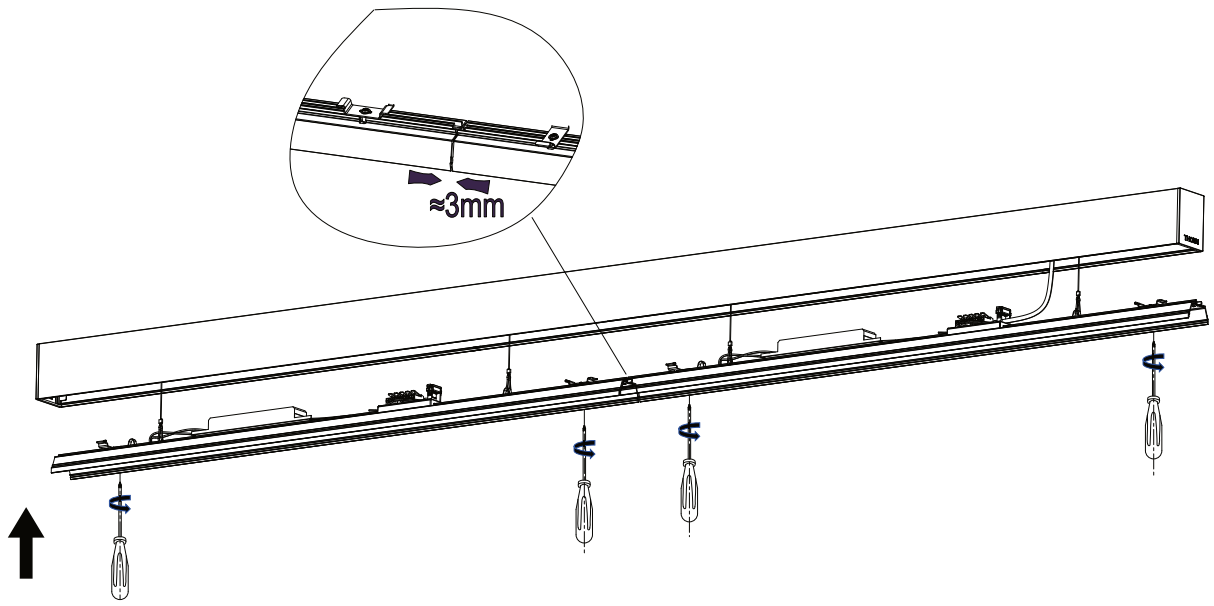
4



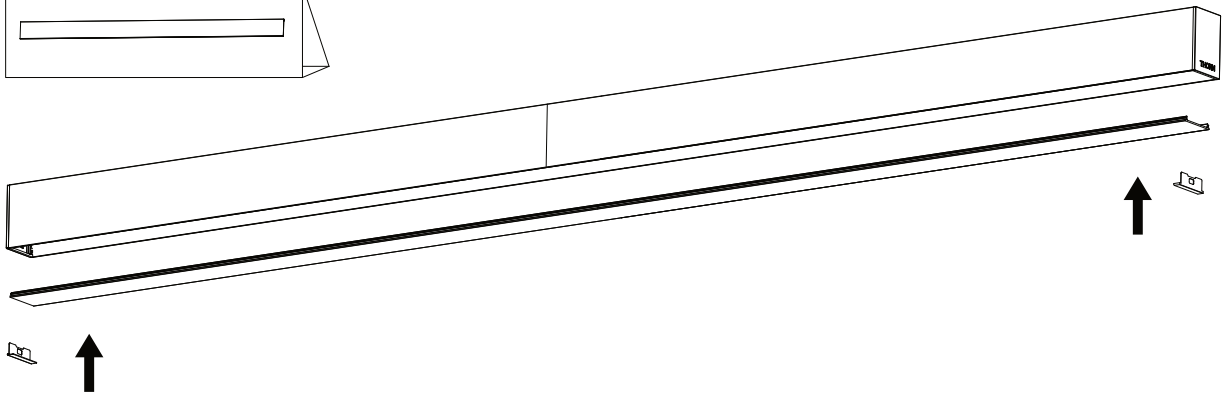
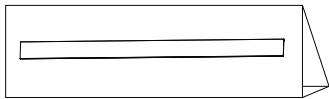
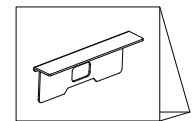
3G1.0 Fifth tooth → Finished luminaire
 5G1.0 Fourth tooth → Finished luminaire
 3G1.5 Fifth tooth → Continuous splicing luminaires
 5G1.5 Fourth tooth → Continuous splicing luminaires



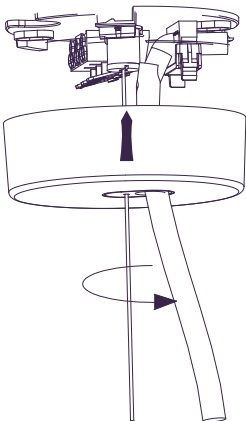
5



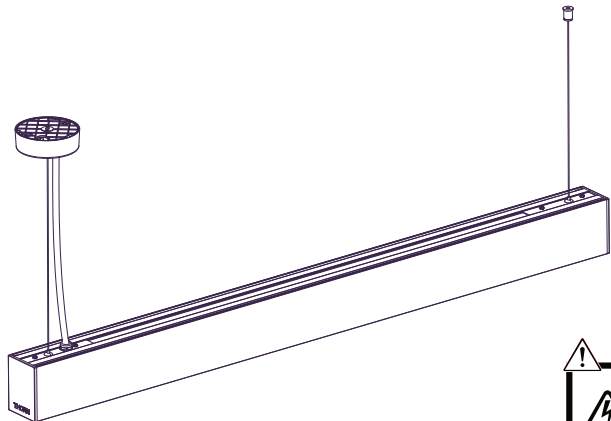
6

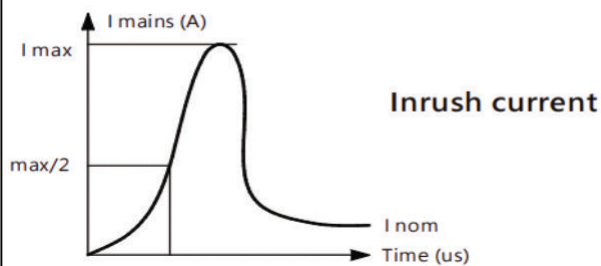


7



8





Number on single-pole
power Circuit breakers(CB)

DRIVER			CABLE		No. of Luminaires per MCB								Recommended number of cascades
TYPE	I _{max} [A]	I _{max} [μs]	Cores[-]	C.Section[mm ²]	B-10A	C-10A	B-13A	C-13A	B-16A	C-16A	B-20A	C-20A	
LC_19W_200-300mA_flexC_lp_SNC4	15	100	3-5	1.5	11	18	14	24	18	30	22	37	8
LC38W_400-700mA_flexC_lp_SNC4	15	100	3-5	1.5	9	15	11	19	14	24	18	29	8
IT FIT 18-220-240-350 CSL	12.4	100	3-5	1.5	14	22	17	29	22	37	27	45	8
IT FIT 40 220-244-800 CSL	13.5	100	3-5	1.5	8	13	10	17	12	21	15	25	8
LC20W80-500mA 54Vo4a NFCh16 EXC4	21	190	3-5	1.5	10	16	13	21	16	27	20	33	8
LC35W 150-700mA 54Vo4a NFCh16 EXC4	20	161	3-5	1.5	8	14	11	18	13	22	17	27	8
OTIDALI25 NFCL FINAL	18	190	3-5	1.5	12	19	15	25	18	31	23	38	8
OTIDALI35 NFCL FINAL	18	200	3-5	1.5	9	15	12	20	15	25	18	31	8
LC55W 350-1050mA 54V o4a NFh16 EXC4	31	200	3-5	1.5	5	8	7	11	8	14	10	17	8
LC55/500-1050/54 DAIp SNC4	25.5	176	3-5	1.5	8	8	7	11	8	14	10	17	8
LC_57W_700-1050mA-flexC-lp-SNC4	20	90	3-5	1.5	6	9	7	12	9	15	11	19	8