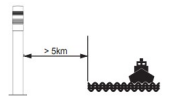


BOLLARD LED



IP44

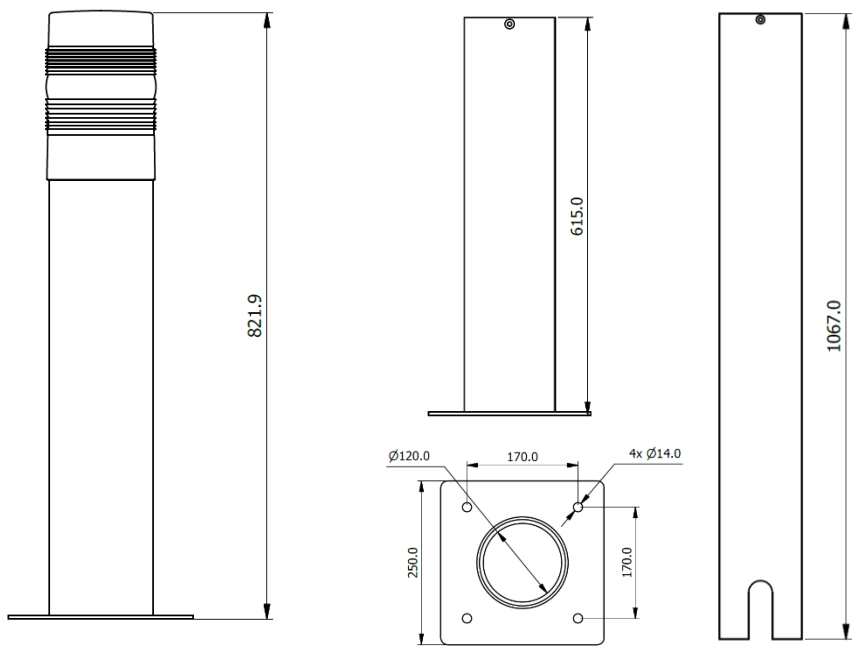


Any modifications to the luminaire may be carried out exclusively by qualified personnel and according to applicable provisions and regulations. Hot plug-in is not an option! This means that the luminaire must always be disconnected from the mains whenever it is being worked on. Otherwise there is risk of damage to the LED.

The manufacturer, shall not be liable for any damage resulting from inappropriate modifications to the luminaire or faulty installation!

Installation to be carried out by a licensed electrician in accordance with local wiring regulations.

Ensure that the rated voltage and frequency of the luminaire is compatible with the electrical supply. Unless otherwise indicated on labelling, this fitting is suitable for normal ambient temperature conditions of up to 40°C.



96650168 – Rev D – 15/11/2023

ZG Lighting Australia Pty Ltd
 +61 1300 139 965
 info.au@zumtobelgroup.com

SPECIFICATION :-
 These luminaires are designed to comply with AS/NZS 60598.1 and installed in accordance with AS/NZS 3000.

Ratings: 240V 50-60Hz 0.7A
 Luminaire weight: 2.25kg

CLASSIFICATION :-
 Against electric shock: Class 1 earthed metalwork. This luminaire must be earthed.

INSTALLATION AND USAGE :-

1. Mount the post in the appropriate manner. If the bollard does not come equipped with a base, mount the bollard so the above-ground height is 822mm. Ensure the pole is earthed in accordance with AS/NZS3000 wiring rules.
2. Connect mains cables to the terminal block and fix to the tray using the provided Cable Clamp. Fix LED gear tray to the post with provided M6 Countersunk Screws provided.
3. Fit lens assembly, turn and lock with provided M8 screws.

Note

- a) If the Bollard is to be painted, etch prime before applying top coat.
- b) No lifting machinery is required to erect post. All work can be carried out by one person at ground level.
- c) Concrete placed at the foot of the post will provide a firm mounting-footing.
- d) Wire with appropriate underground cables through slot or hole in post.
- e) Replace T/Block cover after wiring, keep supply wires short to avoid accidental contact with basic insulation of live conductors.
- f) Use the cable clamp to secure the mains wire.
- g) Do not connect auxiliary power supply connections.
- h) Dimming is 0 – 10V, not DALI.

This product is fitted with electronic componentry, handle with care.

Check contents on opening.

When illuminated, the surface of this product will become hot.

Ensure the product is in good condition before installation.

This product is not suitable for installation <5km from the coast.

