

THORN Gladiator



Installation Instructions

Warning

Installation must be carried out by a qualified electrician in accordance with local wiring regulations. Ensure that the rated voltage and frequency of the luminaire are compatible with the electrical supply.

Disconnect mains power supply before installing, servicing or maintaining the luminaire.

The Gear Tray may be detached to assist with installation; however, the earth wire must be reconnected to the body of the luminaire and the Earth connection continuity checked before switching on the mains power.

Changes to specification

The right is reserved to change the design and/or specification without prior notice or public announcement.

Specification

This luminaire is designed to comply with the requirements of AS/NZS 60598.

Supply Voltage: 240v ~ 50Hz

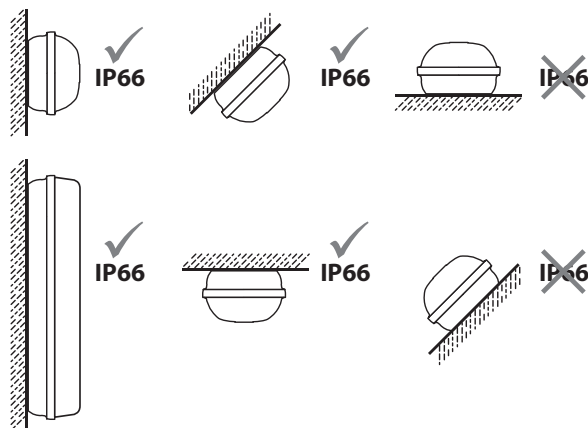
Classification For Protection: Against electric shock: Class 1 earthed metalwork.

IP Rating: 66 - A 6-10mm Ø, circular electrical supply cable must be used to maintain the IP rating.

IK Rating: 4 x IK10 (80 Joules)

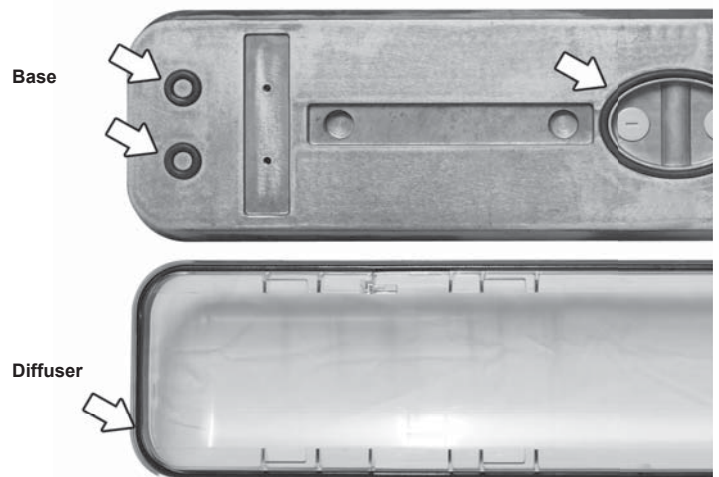
Maximum ambient operating temperature: Up to Ta: 40°C or 55°C (for IHF versions)

⚠ Installation positions and IP rating



⚠ Care required when handling and installing

Note the location of the seals. Care must be taken when handling and installing the luminaire to avoid damaging the seals.

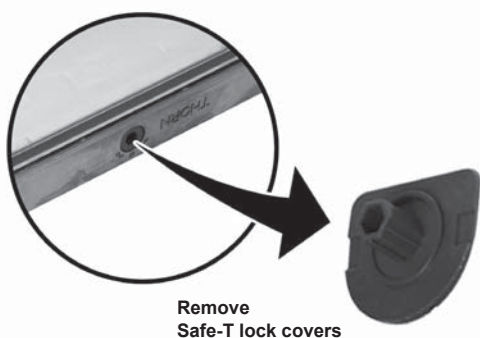


1. Remove the diffuser

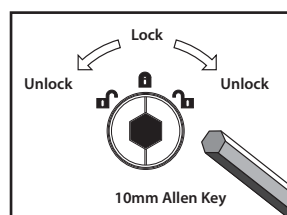
Remove the Safe-T lock covers from both sides of the Safe-T Locking System (SLS)

Use a 10mm Allen key (or optional Security Pin - SP Key) to unlock the diffuser.

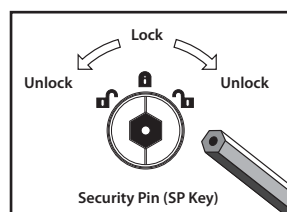
Turn the key in either a clockwise or anti-clockwise direction and hold - while removing the diffuser from the base.



Remove Safe-T lock covers



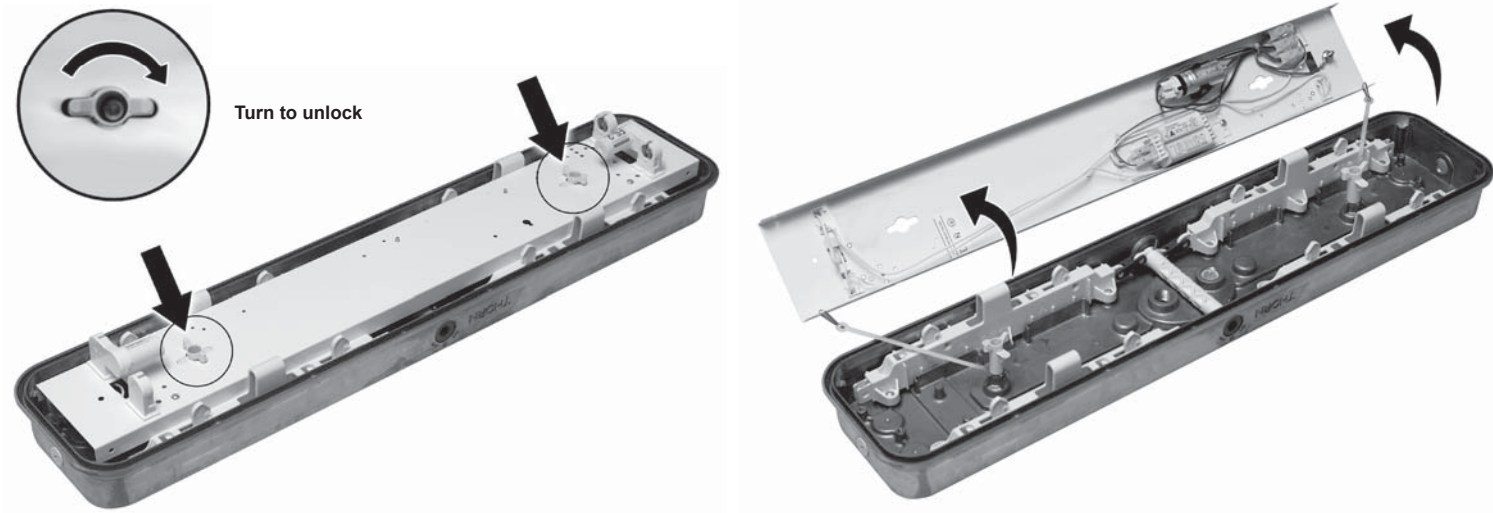
OR



2. Remove the Gear Tray

A. Fluorescent lamp models

Rotate the two locking tabs to unlock the gear tray and then lift the gear tray off the base.



B. LED models

Gently pull the gear tray from the securing clips.

Use a screwdriver to dislodge the clips if needed.

Note: Use extreme care to avoid damaging the LED diffuser.



3. Prepare unit for mounting

There are three installation options:

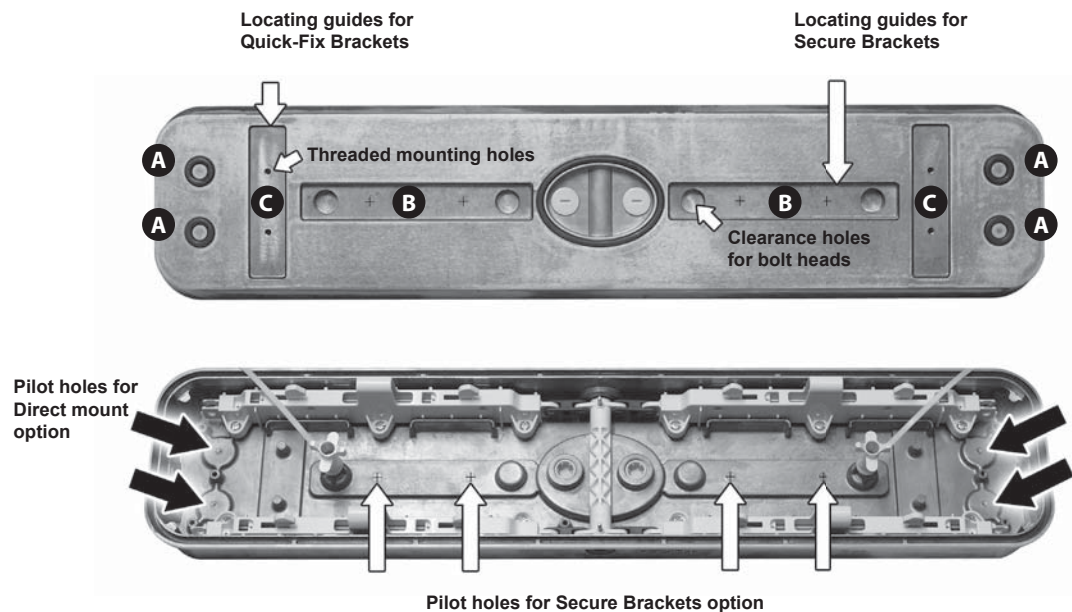
- A. Direct to surface mounting
- B. Secure Bracket mounting
- C. Quick-Fix Bracket mounting

Note the location of the bracket guides and pilot holes for each installation option.

Using a maximum 6mm bit, drill out the required mounting holes for either: (A) Direct or, (B) Secure Bracket installation options.

When drilling out the mounting holes, avoid damaging the sealing gaskets on the mounting face of the luminaire.

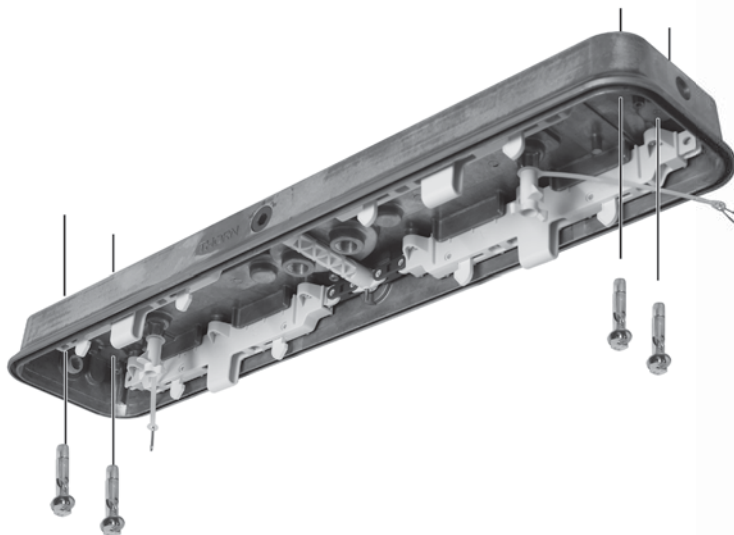
Remove any debris before continuing with installation.



4. Secure base to mounting surface

Direct Mount Option

Secure the base to the ceiling / wall using suitable screws or masonry anchors (not supplied). Ensure the mounting surface is clean, flat and free of debris that may interfere with the sealing gaskets.

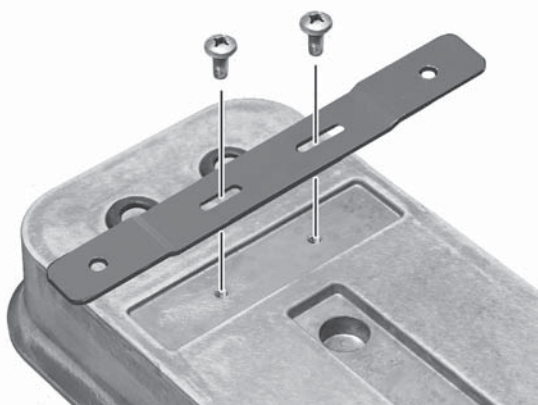
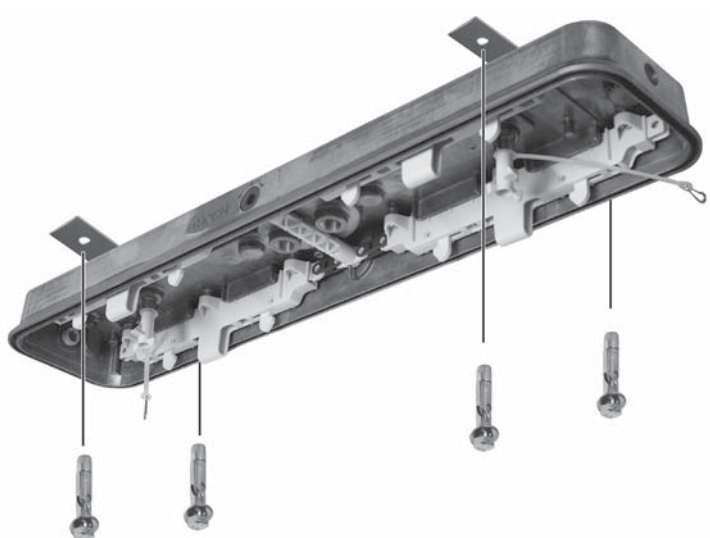


Quick Fix Bracket Option

Gladiator Quick-Fix Bracket Kit SAP No: **96538244**

Connect the Quick-Fix Brackets to the base using the screws supplied

Fit the base and brackets to the mounting surface using the screws and bolts supplied.



Secure Bracket Option

Gladiator Secure Bracket Kit SAP No: **96538245**

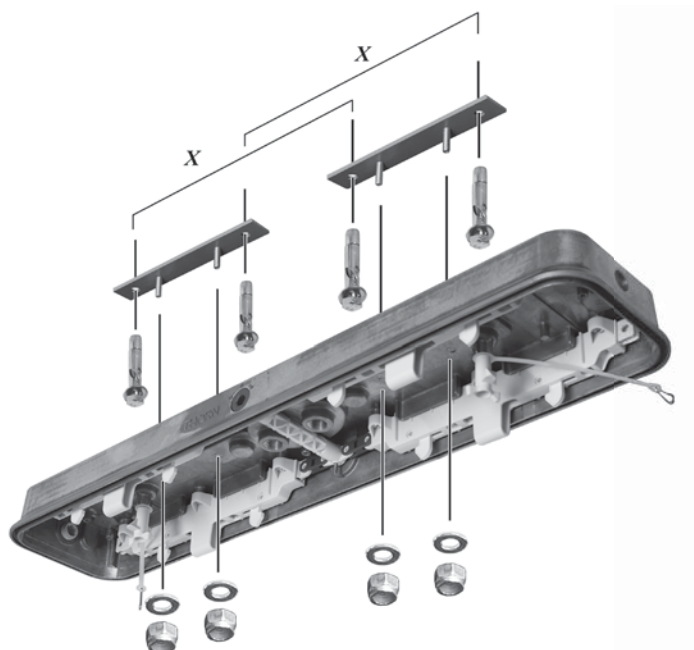
Fix the Secure Brackets to the mounting surface using the screws and bolts supplied.

Fit the base to the brackets and secure with the locking nuts supplied.

Note the hole centres for the mounting bolts.

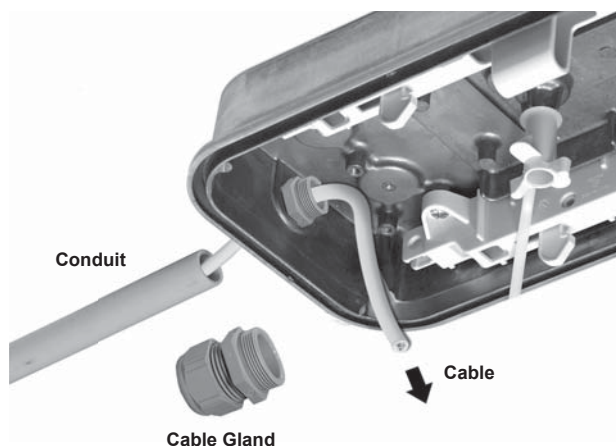
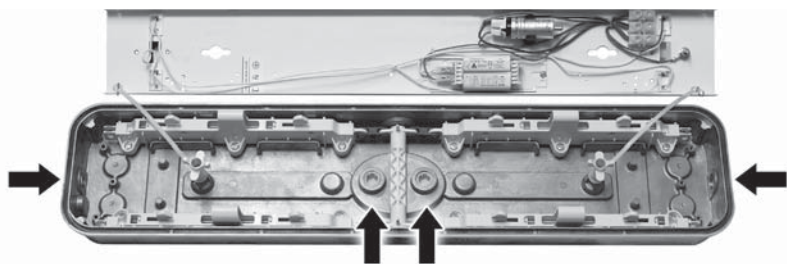
14/18W models: $X = 303\text{mm}$

28/36W models: $X = 810\text{mm}$



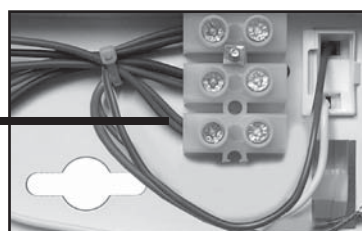
5. Attach conduit, cable glands and electrical supply cable to fitting.

Note the 4 entry point options available on the base. Fit the electrical supply cable, conduit and 20mm cable glands to the desired entry point on the base. Ensure the cable glands are tightened firmly.



6. Make the electrical connections

Make the electrical connections at the terminal block.



- Active - Brown
- Neutral - Blue
- Earth - Green / Yellow

7. Secure the gear tray to the base

Attach the gear tray to the base.

LED models: position the gear tray locating slots over the spring clips and press the gear tray into position.

Fluorescent tube models: Position the gear tray locating key-slots over the thumb locks. Secure the tray by turning the locks to the 'lock' position.



8. Attach the diffuser

Fit the fluorescent lamps (ordered separately).

Ensure the diffuser sealing gasket is clean and free of any foreign material that may interfere with the seal.

Attach the diffuser to the base. Note the location of the hinges on the diffuser and base, they must align and engage before fully placing the diffuser onto the base.

Firmly press the diffuser until it clicks (locks) into position.

Fit the Safe-T lock covers to complete the installation.

